



Ultra high output, high efficiency 50 Watt LED wallpacks. Patent Pending airflow technology ensures long LED and driver lifespan. 5 Year Warranty.

Color: White

Weight: 34.8 lbs

|                     |              |
|---------------------|--------------|
| <b>Project:</b>     | <b>Type:</b> |
| <b>Prepared By:</b> | <b>Date:</b> |

| Driver Info  |                  | LED Info        |              |
|--------------|------------------|-----------------|--------------|
| Type:        | Constant Current | Watts:          | 50W          |
| 120V:        | 0.46A            | Color Temp:     | 5000K (Cool) |
| 208V:        | 0.27A            | Color Accuracy: | 67 CRI       |
| 240V:        | 0.23A            | L70 Lifespan:   | 100,000      |
| 277V:        | 0.20A            | Lumens:         | 4,846        |
| Input Watts: | 52W              | Efficacy:       | 94 LPW       |
| Efficiency:  | 97%              |                 |              |

## Technical Specifications

### Other

#### WPLED3T50 with Bi-Level Operation:

Allows 50% and 100% output modes.

#### Equivalency:

WPLED™ 50W replaces 200W metal halide

#### California Title 24:

WPLED50 with available photocell option complies with 2013 California Title 24 building and electrical codes as a commercial outdoor pole-mounted fixture ≤ 75 Watts. Add /PCT to include a photocell.

#### Patents:

The WPLED™ design is protected by patents pending in the U.S., Canada, China, Taiwan and Mexico.

#### Warranty:

RAB warrants that our LED products will be free from defects in materials and workmanship for a period of five (5) years from the date of delivery to the end user, including coverage of light output, color stability, driver performance and fixture finish.

#### Country of Origin:

Designed by RAB in New Jersey and assembled in the USA by RAB's IBEW Local 3 workers.

#### Buy American Act Compliant:

This product is a COTS item manufactured in the United States, and is compliant with the Buy American Act.

#### Recovery Act (ARRA) Compliant:

This product complies with the 52.225-21 "Required Use of American Iron, Steel, and Manufactured Goods-- Buy American Act-- Construction Materials (October 2010).

#### Trade Agreements Act Compliant:

This product is a COTS item manufactured in the United States, and is compliant with the Trade Agreements Act.

### GSA Schedule:

Suitable in accordance with FAR Subpart 25.4.

### Listings

#### UL Listing:

Suitable for wet locations as a downlight.

#### IESNA LM-79 & IESNA LM-80 Testing:

RAB LED fixtures have been tested by an independent laboratory in accordance with IESNA LM-79 and 80, and have received the Department of Energy "Lighting Facts" label.

#### Dark Sky Approved:

The International Dark Sky Association has approved this product as a full cutoff, fully shielded luminaire.

### LED Characteristics

#### Lifespan:

100,000-hour LED lifespan based on IES LM-80 results and TM-21 calculations.

#### LEDs:

Multi-chip, high-output, long-life LEDs

#### Color Consistency:

7-step MacAdam Ellipse binning to achieve consistent fixture-to-fixture color.

#### Color Stability:

LED color temperature is warranted to shift no more than 200K in CCT over a 5 year period.

#### Color Uniformity:

RAB's range of CCT (Correlated Color Temperature) follows the guidelines of the American National Standard for Specifications for the Chromaticity of Solid State Lighting (SSL) Products, ANSI C78.377-2011.

### Construction

#### IES Classification:

The Type III distribution is ideal for roadway, general parking and other area lighting applications where a larger pool of lighting is required. It is intended to be located near the side of the area, allowing the light to project outward and fill the area.

#### IP Rating:

Ingress Protection rating of IP66 for dust and water.

#### Ambient Temperature:

Suitable for use in 40°C ambient temperatures.

#### Cold Weather Starting:

The minimum starting temperature is -40°F/-40°C.

#### Thermal Management:

Superior patent pending thermal management design with external Air-Flow fins provides maximum operational life, even in high ambient temperature environments.

#### Housing:

Die cast aluminum housing, lens frame and mounting arm.

#### Mounting:

Heavy-duty mounting arm with "O" ring seal & stainless steel screws.

#### Reflector:

Specular vacuum-metallized polycarbonate

## Technical Specifications (continued)

### Construction

#### Gaskets:

High temperature silicone gaskets

#### Finish:

Our environmentally friendly polyester powder coatings are formulated for high-durability and long-lasting color, and contains no VOC or toxic heavy metals.

### Green Technology:

Mercury and UV free, and RoHS compliant. Polyester powder coat finish formulated without the use of VOC or toxic heavy metals.

### Electrical

#### Driver:

Constant Current, Class 2, 1400mA, 100-277V, 50-60Hz, 0.8A, Power Factor 99%

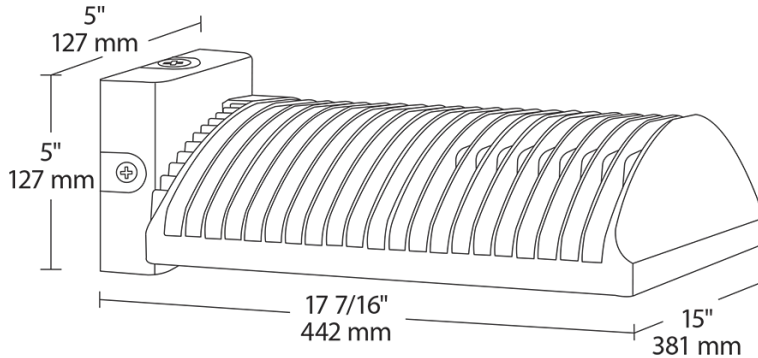
### THD:

7.0% at 120V, 7.4% at 277V

### Surge Protection:

6kV surge suppression protection tested in accordance with IEEE/ANSI C62.41.2.

## Dimensions



## Features

- High output, high efficiency LED
- Maintains 70% of initial lumens at 100,000 hours
- Weatherproof high temperature silicone gaskets
- Superior heat sinking with die cast aluminum housing and external fins
- 100 up to 277 Volts
- 5-year warranty

## Ordering Matrix

| Family | Distribution  | Watts | Color Temp | Mount     | Finish | Voltage | Photocell      | Dimming  | Sensor   | Bi-Level  |
|--------|---------------|-------|------------|-----------|--------|---------|----------------|----------|--|-----------|
| WPLED  |               |       |            |           |        |         |                |          |  |           |
|        | 2T = Type II  | 50 =  | = 5000K    | =         | =      | = 120-  | = No Photocell | = No     | /WS2 = Multi-Level Motion Sensor (Only available for 120-277V with /D10 for 50W) | = No Bi-  |
|        | 3T = Type III | 50W   | (Cool)     | Standard  | Bronze | 277V    | /PC = 120V     | Dimming  |  | Level     |
|        | 4T = Type IV  |       | Y = 3000K  | FX = Flat | W =    | /480 =  | Button         | /D10 =   |  | /BL = Bi- |
|        |               |       | (Warm)     | Wall      | White  | 480V    | /PC2 = 277     | Dimmable |  | Level     |
|        |               |       | N = 4000K  |           |        |         | Button         |          |  |           |
|        |               |       | (Neutral)  |           |        |         | /PCS = 120V    |          |  |           |
|        |               |       |            |           |        |         | Swivel         |          |  |           |
|        |               |       |            |           |        |         | /PCS2 = 277V   |          |  |           |
|        |               |       |            |           |        |         | Swivel         |          |  |           |
|        |               |       |            |           |        |         | /PCT = 120-    |          |  |           |
|        |               |       |            |           |        |         | 277V Twistlock |          |  |           |
|        |               |       |            |           |        |         | /PCS4 = 480V   |          |  |           |
|        |               |       |            |           |        |         | Swivel         |          |  |           |
|        |               |       |            |           |        |         | /PCT4 = 480V   |          |  |           |
|        |               |       |            |           |        |         | Twistlock      |          |  |           |