

WPLED2T125YFX/D10



Ultra high output, high efficiency 125 Watt LED wallpacks. Patent Pending airflow technology ensures long LED and driver lifespan. 5 Year Warranty.

Color: Bronze

Weight: 34.8 lbs

Project:

Type:

Prepared By:

Date:

Driver Info

Type: Constant Current
120V: 1.12A
208V: 0.70A
240V: 0.61A
277V: 0.52A
Input Watts: 136W
Efficiency: 92%

LED Info

Watts: 125W
Color Temp: 3000K (Warm)
Color Accuracy: 82 CRI
L70 Lifespan: 100,000
Lumens: 10,335
Efficacy: 76 LPW

Technical Specifications

Other

WPLED2T125 with Dimmable Driver:

Driver includes dimming control for 0-10V dimming systems. Requires separate 0-10V DC dimming circuit. Dims as low as 10%.

California Title 24:

WPLED2T125/D10 complies with 2013 California Title 24 building and electrical codes as a commercial outdoor non-pole-mounted fixture > 30 Watts mounted up to 24 feet when used with the RAB Stealth Dimmer. Use catalog code STLDIM10 to order a Stealth Dimmer module. Mounting heights greater than 24 feet require only a photocell. See WPLED2T125/PC, WPLED2T125/PC2, WPLED2T125/PCS, WPLED2T125/PCS2 or WPLED2T125/PCT for photocell models.

>Dark Sky Approved:

The International Dark Sky Association has approved this product as a full cutoff, fully shielded luminaire.

Warranty:

RAB warrants that our LED products will be free from defects in materials and workmanship for a period of five (5) years from the date of delivery to the end user, including coverage of light output, color stability, driver performance and fixture finish.

Patents:

The design of WPLED125 is protected by patents pending in US, Canada, China, Taiwan and Mexico.

Country of Origin:

Designed by RAB in New Jersey and assembled in the USA by RAB's IBEW Local 3 workers.

Buy American Act Compliant:

This product is a COTS item manufactured in the United States, and is compliant with the Buy American Act.

Recovery Act (ARRA) Compliant:

This product complies with the 52.225-21 "Required Use of American Iron, Steel, and Manufactured Goods-- Buy American Act-- Construction Materials (October 2010).

Trade Agreements Act Compliant:

This product is a COTS item manufactured in the United States, and is compliant with the Trade Agreements Act.

GSA Schedule:

Suitable in accordance with FAR Subpart 25.4.

Listings

UL Listing:

Suitable for wet locations.

IESNA LM-79 & LM-80 Testing:

RAB LED luminaires have been tested by an independent laboratory in accordance with IESNA LM-79 and LM-80, and have been received the Department of Energy "Lighting Facts" label.

LED Characteristics

Lifespan:

100,000-hour LED lifespan based on IES LM-80 results and TM-21 calculations.

LEDs:

Multi-chip, high-output, long-life LEDs

Color Consistency:

3-step MacAdam Ellipse binning to achieve consistent fixture-to-fixture color.

Color Stability:

LED color temperature is warranted to shift no more than 200K in CCT over a 5 year period.

Color Uniformity:

RAB's range of CCT (Correlated Color Temperature) follows the guidelines of the American National Standard for Specifications for the Chromaticity of Solid State Lighting (SSL) Products, ANSI C78.377-2011.

Construction

IES Classification:

The Type II distribution is ideal for wide walkways, on ramps and entrance roadways, bike paths and other long and narrow lighting applications. This type is meant for lighting larger areas and usually is located near the roadside. This type of lighting is commonly found on smaller side streets or jogging paths.

IP Rating:

Ingress Protection rating of IP66 for dust and water.

Ambient Temperature:

Suitable for use in 40°C (104°F) ambient temperatures.

Cold Weather Starting:

The minimum starting temperature is -40°F/-40°C.

Thermal Management:

Superior thermal management with external Air-Flow fins.

Housing:

Die-cast aluminum housing, lens frame and mounting arm

Mounting:

Heavy-duty mounting arm with "O" ring seal & stainless steel screws

Reflector:

Specular vacuum-metallized polycarbonate

Gaskets:

High-temperature silicone gaskets

Technical Specifications (continued)

Construction

Finish:

Our environmentally friendly polyester powder coatings are formulated for high-durability and long-lasting color, and contains no VOC or toxic heavy metals.

Green Technology:

Mercury and UV free, and RoHS compliant. Polyester powder coat finish formulated without the use of VOC or toxic heavy metals.

For use on LEED Buildings:

IDA Dark Sky Approval means that this fixture can be used to achieve LEED Credits for Light Pollution Reduction.

Electrical

Drivers:

Two Drivers, Constant Current, Class 2, 1750mA, 100-277V, 50/60Hz, 1.1A, Power Factor 99%

THD:

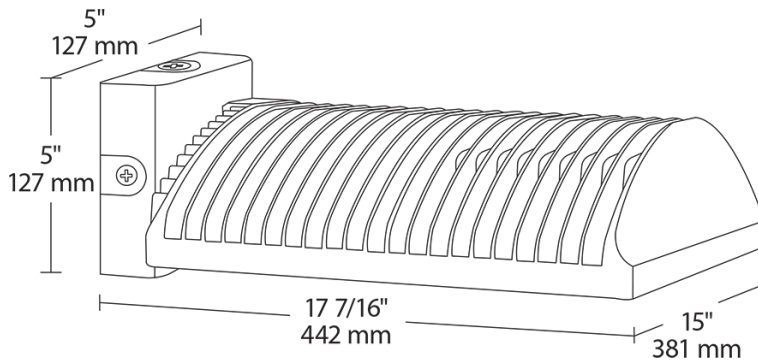
5.3% at 120V, 15.3% at 277V

Optical

BUG Rating:

B2 U0 G2

Dimensions



Features

- High output, high efficiency LED
- Maintains 70% of initial lumens at 100,000 hours
- Weatherproof high temperature silicone gaskets
- Superior heat sinking with die cast aluminum housing and external fins
- 100 up to 277 Volts
- 5-year warranty

Ordering Matrix

Family	Distribution	Watts	Color Temp	Mount	Finish	Voltage	Photocell	Dimming	Sensor	Bi-Level
WPLED										
	2T = Type II	125 =	= Cool	=	=	= 120-	= No Photocell	= No	/WS4 = Multi-Level Motion Sensor (Only available for 120-277V with /D10 for 125W)	= No Bi-Level
	3T = Type III	125W	Y = Warm	FX = Flat	W = White	277V	/PC = 120V Button	Dimming		/D10 = Dimmable
	4T = Type IV		N = Neutral	Wall		480V	/PC2 = 277V Button			
							/PCS = 120V Swivel			
							/PCS2 = 277V Swivel			
							/PCT = 120-277V Twistlock			
							/PCS4 = 480V Swivel			
							/PCT4 = 480V Twistlock			