



26 Watt LED wallpack with emergency backup battery that will last for 90 minutes during power interruption. Patent Pending thermal management system. 100,000 hour L70 lifespan. 5 Year Warranty.

Color: Bronze

Weight: 14.0 lbs

Project:	Type:
Prepared By:	Date:

Driver Info		LED Info	
Type:	Constant Current	Watts:	26W
120V:	0.26A	Color Temp:	3000K (Warm)
208V:	0.16A	Color Accuracy:	83 CRI
240V:	0.14A	L70 Lifespan:	100,000
277V:	0.12A	Lumens:	1,994
Input Watts:	29W	Efficacy:	69 LPW
Efficiency:	90%		

Technical Specifications

Other

WPLED26 with Battery Backup:

Minimum starting temperature is 0°C/32°F.

Backup Battery:

Two field-replaceable, high-temperature, maintenance-free, nickel-cadmium batteries.

California Title 24:

See WPLED26/PC for a 2013 California Title 24 compliant model.

Equivalency:

The WPLED26 is Equivalent in delivered lumens to a 175W Metal Halide Wallpack.

Patents:

The WPLED design is protected by U.S. Patent D634878 and Patents pending in the U.S., Canada, China, Taiwan and Mexico.

Country of Origin:

Designed by RAB in New Jersey and assembled in the USA by RAB's IBEW Local 3 workers.

Buy American Act Compliant:

This product is a COTS item manufactured in the United States, and is compliant with the Buy American Act.

Recovery Act (ARRA) Compliant:

This product complies with the 52.225-21 "Required Use of American Iron, Steel, and Manufactured Goods-- Buy American Act-- Construction Materials (October 2010).

Trade Agreements Act Compliant:

This product is a COTS item manufactured in the United States, and is compliant with the Trade Agreements Act.

GSA Schedule:

Suitable in accordance with FAR Subpart 25.4.

Listings

UL Listing:

Suitable for Wet Locations as downlight. Wall Mount Only. Battery Backup UL 924 Listed Emergency Lighting Power Supply.

LED Characteristics

Lifespan:

100,000-hour LED lifespan based on IES LM-80 results and TM-21 calculations.

LED:

Two (2) 13W high-output, long-life LEDs.

Color Consistency:

3-step MacAdam Ellipse binning to achieve consistent fixture-to-fixture color.

Color Stability:

LED color temperature is warranted to shift no more than 200K in CCT over a 5 year period.

Color Uniformity:

RAB's range of CCT (Correlated color temperature) follows the guidelines of the American National Standard for Specifications for the Chromaticity of Solid State Lighting (SSL) Products, ANSI C78.377-2008.

Electrical

Battery Mode:

Light output use LLD of .76 to simulate light output during battery mode operation.

Driver:

Constant Current, Class 2, 50/60 Hz, 120 - 277VAC
0.4 Amps.

THD:

7.8% at 120V, 10.9% at 277V

THD:

12.9% at 120V

Construction

Ambient Temperature:

Suitable for use in 35°C (95°F) ambient temperatures.

Thermal Management:

Optimized using computational fluid dynamics software to ensure long LED and driver lifespan.

Gaskets:

High temperature silicone.

Housing:

Precision die-cast aluminum housing, lens frame and mounting arm.

Finish:

Our environmentally friendly polyester powder coatings are formulated for high-durability and long-lasting color, and contains no VOC or toxic heavy metals.

Thermal Management:

Cast aluminum Thermal Management system for optimal heat sinking. The LPACK is designed for cool operation, most efficient output and maximum LED life by minimizing LED junction temperature.

Technical Specifications (continued)

Construction

Green Technology:

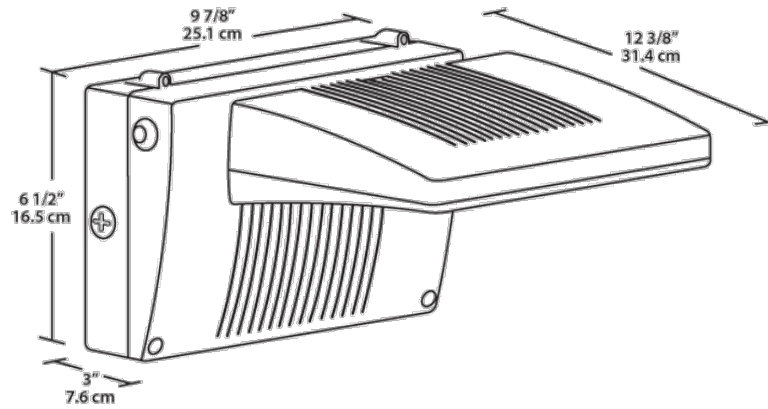
RAB LEDs are Mercury, Arsenic and UV free.

Optical

BUG Rating:

B1 U0 G0

Dimensions



Features

- Backup battery UL 924 listed
- UL listed for wet locations
- 90 minutes illumination time during power interruption
- Includes test switch and charge indicator light
- Universal input voltage
- 5-year warranty

Ordering Matrix

Family	Watts	Color Temp	Finish	Battery Backup	Photocell
WPLED	26 = 26W	= Cool Y = Warm N = Neutral	= Bronze W = White	/E = Battery Backup /EC = Cold Start Battery Backup	= No Photocell /PC = 120V Button /PCS = 120V Swivel /PC2 = 277V Swivel