



26 Watt LED wallpack with emergency backup battery that will last for 90 minutes during power interruption. Patent Pending thermal management system. 100,000 hour L70 lifespan. 5 Year Warranty.

Color: Bronze

Weight: 14.0 lbs

Project:	Type:
Prepared By:	Date:

Driver Info		LED Info	
Type:	Constant Current	Watts:	26W
120V:	0.26A	Color Temp:	5000K (Cool)
208V:	N/A	Color Accuracy:	70 CRI
240V:	N/A	L70 Lifespan:	100,000
277V:	N/A	Lumens:	2,662
Input Watts:	30W	Efficacy:	90 LPW
Efficiency:	88%		

Technical Specifications

Other

WPLED26 with Battery Backup:

Minimum starting temperature is 0°C/32°F.

WPLED26 with Photocell:

120V Swivel Photocell Included. Photocell is only compatible with 120V.

Backup Battery:

Two field-replaceable, high-temperature, maintenance-free, nickel-cadmium batteries.

California Title 24:

WPLED26/PCS complies with 2013 California Title 24 building and electrical codes as a commercial outdoor non-pole-mounted fixture < 30 Watts.

Equivalency:

The WPLED26 is Equivalent in delivered lumens to a 175W Metal Halide Wallpack.

Patents:

The WPLED26 design is protected by U.S. Patent D634878 and Patents pending in the U.S., Canada, China, Taiwan and Mexico.

Country of Origin:

Designed by RAB in New Jersey and assembled in the USA by RAB's IBEW Local 3 workers.

Buy American Act Compliant:

This product is a COTS item manufactured in the United States, and is compliant with the Buy American Act.

Recovery Act (ARRA) Compliant:

This product complies with the 52.225-21 "Required Use of American Iron, Steel, and Manufactured Goods-- Buy American Act-- Construction Materials (October 2010).

Trade Agreements Act Compliant:

This product is a COTS item manufactured in the United States, and is compliant with the Trade Agreements Act.

GSA Schedule:

Suitable in accordance with FAR Subpart 25.4.

Listings

UL Listing:

Suitable for Wet Locations as downlight. Wall Mount Only. Battery Backup UL 924 Listed Emergency Lighting Power Supply.

DLC Listed:

This product is on the Design Lights Consortium (DLC) Qualified Products List and is eligible for rebates from DLC Member Utilities.

LED Characteristics

Lifespan:

100,000-hour LED lifespan based on IES LM-80 results and TM-21 calculations.

LED:

Two (2) 13W high-output, long-life LEDs.

Color Consistency:

7-step MacAdam Ellipse binning to achieve consistent fixture-to-fixture color.

Color Stability:

LED color temperature is warranted to shift no more than 200K in CCT over a 5 year period.

Color Uniformity:

RAB's range of CCT (Correlated color temperature) follows the guidelines of the American National Standard for Specifications for the Chromaticity of Solid State Lighting (SSL) Products, ANSI C78.377-2008.

Electrical

Battery Mode:

Light output use LLD of.76 to simulate light output during battery mode operation.

Driver:

Constant Current, Class 2, 50/60 Hz, 120 - 277VAC 0.4 Amps.

THD:

7.5% at 120V

Construction

Ambient Temperature:

Suitable for use in 35°C (95°F) ambient temperatures.

Thermal Management:

Optimized using computational fluid dynamics software to ensure long LED and driver lifespan.

Gaskets:

High temperature silicone.

Housing:

Precision die-cast aluminum housing, lens frame and mounting arm.

Finish:

Our environmentally friendly polyester powder coatings are formulated for high-durability and long-lasting color, and contains no VOC or toxic heavy metals.

Technical Specifications (continued)

Construction

Thermal Management:

Cast aluminum Thermal Management system for optimal heat sinking. The LPACK is designed for cool operation, most efficient output and maximum LED life by minimizing LED junction temperature.

Green Technology:

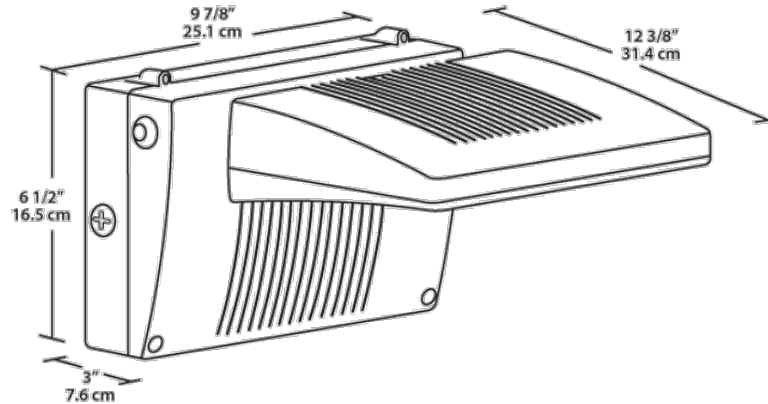
RAB LEDs are Mercury, Arsenic and UV free.

Optical

BUG Rating:

B1 U0 G0

Dimensions



Features

- Backup battery UL 924 listed
- UL listed for wet locations
- 90 minutes illumination time during power interruption
- Includes test switch and charge indicator light
- Universal input voltage
- 5-year warranty

Ordering Matrix

Family	Watts	Color Temp	Finish	Battery Backup	Photocell
WPLED	26 = 26W	= Cool Y = Warm N = Neutral	= Bronze W = White	/E = Battery Backup /EC = Cold Start Battery Backup	= No Photocell /PC = 120V Button /PCS = 120V Swivel /PC2 = 277V Swivel