



LED Wallpacks for solar applications or other 10-30 VDC systems. Perfect for off-grid, remote-area lighting. Up to 85% more efficient than line voltage AC solutions. Available in 10, 13, 20 and 26 Watt.

Color: Bronze

Weight: 3.5 lbs

<b>Project:</b>	<b>Type:</b>
<b>Prepared By:</b>	<b>Date:</b>

Driver Info		LED Info	
Type:	DC to DC	Watts:	10W
120V:	N/A	Color Temp:	5000K (Cool)
208V:	N/A	Color Accuracy:	92 CRI
240V:	N/A	L70 Lifespan:	100,000
277V:	N/A	Lumens:	547
Input Watts:	10W	Efficacy:	55 LPW
Efficiency:	N/A		

## Technical Specifications

### LED Characteristics

#### Lifespan:

100,000-hour LED lifespan based on IES LM-80 results and TM-21 calculations.

#### Color Consistency:

7-step MacAdam Ellipse binning to achieve consistent fixture-to-fixture color.

#### Color Stability:

RAB LEDs exceed industry standards for chromatic stability.

#### Color Accuracy:

92 CRI

#### Color Temperature (Nominal CCT):

5000K

#### Color Uniformity:

RAB's range of CCT (Correlated Color Temperature) follows the guidelines of the American National Standard for Specifications for the Chromaticity of Solid State Lighting (SSL) Products, ANSI C78.377-2015.

#### LEDs:

Multi-chip 10 watt, high-output, long-life LEDs.

#### Color Stability:

LED color temperature is warranted to shift no more than 200K in CCT over a 5 year period.

#### Color Temperature:

5000K

### Electrical

#### Electrical Input Specifications:

Max Watts = 10W; Input Volts = 10-30VDC; Operating Amps = 1.3 - 0.4A.

### Construction

#### Cold Weather Starting:

The minimum starting temperature is -40°F/-40°C.

#### Ambient Temperature:

Suitable for use in 40°C (104°F) ambient temperatures.

#### Thermal Management:

Die-cast aluminum Thermal Management system for optimal heat dissipation.

#### Housing:

Die-cast aluminum housing, lens frame and mounting arm.

#### Mounting:

Junction box.

#### Reflector:

Specular aluminum.

#### Gaskets:

High-temperature silicone gaskets.

#### Finish:

Our environmentally friendly polyester powder coatings are formulated for high-durability and long-lasting color, and contains no VOC or toxic heavy metals.

### Green Technology:

Mercury and UV Free, and RoHS compliant.

### Mounting:

Surface Plate.

### Optical

#### Fixture Efficacy:

41 Lumens per Watt

#### BUG Rating:

B0 U0 G0

### Listings

#### IESNA LM-79 & LM-80 Testing:

RAB LED luminaires have been tested by an independent laboratory in accordance with IESNA LM-79 and LM-80, and have received the Department of Energy "Lighting Facts" label.

#### Dark Sky Approved:

The International Dark Sky Association has approved these products as full cutoff, fully shielded luminaires.

#### IESNA LM-79 & IESNA LM-80 Testing:

RAB LED luminaires have been tested by an independent laboratory in accordance with IESNA LM-79 and LM-80, and have received the Department of Energy "Lighting Facts" label.

### Other

#### California Title 24:

LPACK complies with California Title 24 building and electrical codes.

**Technical Specifications (continued)**

**Other**

**For Use on LEED Buildings:**

IDA Dark Sky Approval means that these fixtures can be used to achieve LEED Credits for Light Pollution Reduction.

**Patents:**

The design of the LPACK is protected by US patents pending in U.S., Canada, China, Taiwan & Mexico.

**Country of Origin:**

Designed by RAB in New Jersey and assembled in the USA by RAB's IBEW Local 3 workers.

**Buy American Act Compliant:**

This product is a COTS item manufactured in the United States, and is compliant with the Buy American Act.

**Recovery Act (ARRA) Compliant:**

This product complies with the 52.225-21 "Required Use of American Iron, Steel, and Manufactured Goods-- Buy American Act-- Construction Materials (October 2010).

**Trade Agreements Act Compliant:**

This product is a COTS item manufactured in the United States, and is compliant with the Trade Agreements Act.

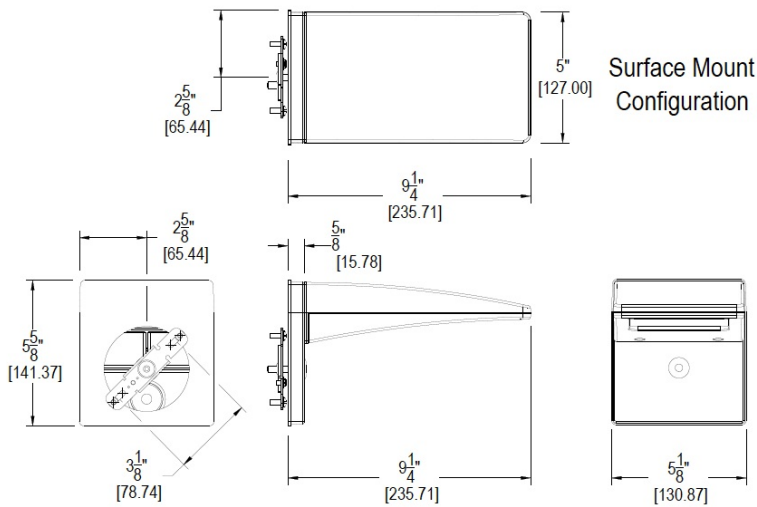
**GSA Schedule:**

Suitable in accordance with FAR Subpart 25.4.

**Starting Amps / Operating Amps:**

12V DC/3.5A, 24V DC/3.5A.

**Dimensions**



**Features**

- Low voltage DC
- Ideal for solar applications
- Up to 85% more energy efficient
- No energy-loss from DC-AC inverter
- Enables off-grid, remote-area lighting
- 5-year warranty

**Ordering Matrix**

Family	Watts	Direct Current	Finish
WPLED	10 = 10W 13 = 13W	DC = Direct Current	= Bronze W = White