



LED Wallpacks for solar applications or other 10-30 VDC systems. Perfect for off-grid, remote-area lighting. Up to 85% more efficient than line voltage AC solutions. Available in 10, 13, 20 and 26 Watt.

Color: Bronze

Weight: 3.3 lbs

**Project:**

**Type:**

**Prepared By:**

**Date:**

### Driver Info

Type: DC to DC  
 120V: N/A  
 208V: N/A  
 240V: N/A  
 277V: N/A  
 Input Watts: 10W  
 Efficiency: N/A

### LED Info

Watts: 10W  
 Color Temp: 5000K (Cool)  
 Color Accuracy: 92 CRI  
 L70 Lifespan: 100,000  
 Lumens: 547  
 Efficacy: 55 LPW

## Technical Specifications

### LED Characteristics

#### Lifespan:

100,000-hour LED lifespan based on IES LM-80 results and TM-21 calculations.

#### Color Consistency:

7-step MacAdam Ellipse binning to achieve consistent fixture-to-fixture color.

#### Color Stability:

LED color temperature is warranted to shift no more than 200K in CCT over a 5 year period.

#### Color Accuracy:

92 CRI

#### Color Temperature (Nominal CCT):

5000K

#### Color Uniformity:

RAB's range of CCT (Correlated Color Temperature) follows the guidelines of the American National Standard for Specifications for the Chromaticity of Solid State Lighting (SSL) Products, ANSI C78.377-2015.

### Electrical

#### Electrical Input Specifications:

Max Watts = 10W; Input Volts = 10-30 VDC; Operating Amps = 1.3 - 0.4A.

### Construction

#### Cold Weather Starting:

The minimum starting temperature is -40°F/-40°C.

#### Ambient Temperature:

Suitable for use in 40°C (104°F) ambient temperatures.

### Thermal Management:

Die-cast aluminum Thermal Management system for optimal heat dissipation.

### Housing:

Die-cast aluminum housing, lens frame and mounting arm.

### Mounting:

Junction box.

### Reflector:

Specular aluminum.

### Gaskets:

High-temperature silicone gaskets.

### Finish:

Our environmentally friendly polyester powder coatings are formulated for high-durability and long-lasting color, and contains no VOC or toxic heavy metals.

### Green Technology:

Mercury and UV Free, and RoHS compliant.

### Optical

#### Fixture Efficacy:

41 Lumens per Watt

#### BUG Rating:

B0 U0 G0

### Listings

#### IESNA LM-79 & LM-80 Testing:

RAB LED luminaires have been tested by an independent laboratory in accordance with IESNA LM-79 and LM-80, and have received the Department of Energy "Lighting Facts" label.

#### Dark Sky Approved:

The International Dark Sky Association has approved these products as full cutoff, fully shielded luminaires.

### Other

#### California Title 24:

LPACK complies with California Title 24 building and electrical codes.

#### For Use on LEED Buildings:

IDA Dark Sky Approval means that these fixtures can be used to achieve LEED Credits for Light Pollution Reduction.

### Patents:

The design of the LPACK is protected by US patents pending in US., Canada, China, Taiwan & Mexico.

#### Country of Origin:

Designed by RAB in New Jersey and assembled in the USA by RAB's IBEW Local 3 workers.

#### Buy American Act Compliant:

This product is a COTS item manufactured in the United States, and is compliant with the Buy American Act.

#### Recovery Act (ARRA) Compliant:

This product complies with the 52.225-21 "Required Use of American Iron, Steel, and Manufactured Goods-- Buy American Act-- Construction Materials (October 2010).

## Technical Specifications (continued)

### Other

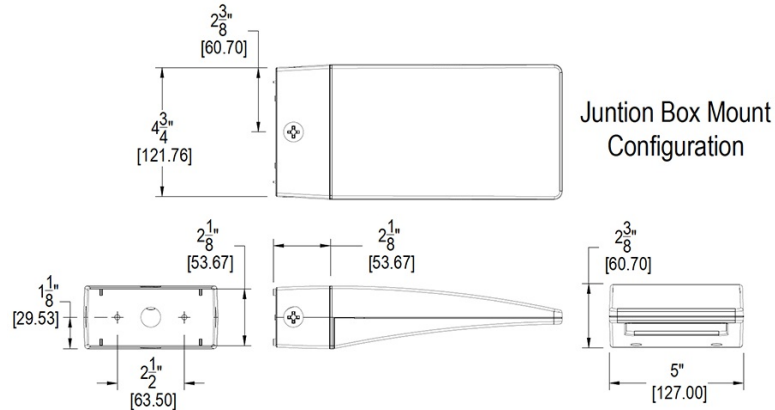
#### Trade Agreements Act Compliant:

This product is a COTS item manufactured in the United States, and is compliant with the Trade Agreements Act.

### GSA Schedule:

Suitable in accordance with FAR Subpart 25.4.

### Dimensions



### Features

- Low voltage DC
- Ideal for solar applications
- Up to 85% more energy efficient
- No energy-loss from DC-AC inverter
- Enables off-grid, remote-area lighting
- 5-year warranty

### Ordering Matrix

Family	Watts	Direct Current	Finish
WPLED	10 = 10W 13 = 13W	DC = Direct Current	= Bronze W = White