



LED Wallpacks. Patent Pending thermal management system. 100,000 hour L70 lifespan. 5 Year Warranty.

Color: Bronze

Weight: 9.6 lbs

Project:

Type:

Prepared By:

Date:

Driver Info

Type: Constant Current
 120V: N/A
 208V: 0.19A
 240V: 0.17A
 277V: 0.15A
 Input Watts: 38W
 Efficiency: 97%

LED Info

Watts: 37W
 Color Temp: 4000K (Neutral)
 Color Accuracy: 83 CRI
 L70 Lifespan: 100,000
 Lumens: 4,195
 Efficacy: 110 LPW

Technical Specifications

Listings

UL Listing:

Suitable for wet locations. Wall mount only.

DLC Listed:

This product is on the Design Lights Consortium (DLC) Qualified Products List and is eligible for rebates from DLC Member Utilities.

IESNA LM-79 & LM-80 Testing:

RAB LED luminaires have been tested by an independent laboratory in accordance with IESNA LM-79 and LM-80, and have received the Department of Energy "Lighting Facts" label.

Electrical

Driver:

Constant Current, Class 2, 450mA, 50/60 Hz. 100 - 277V, 4kV surge protection

Power Factor:

97.1% at 277V

THD:

7.1% at 277V

Optical

BUG Rating:

B1 U4 G3

Construction

Thermal Management:

Superior thermal management with die-cast aluminum heatsink

Ambient Temperature:

Suitable for use in 40°C (104°F) ambient temperatures.

Cold Weather Starting:

The minimum starting temperature is -40°F/-40°C.

Housing:

Precision die-cast aluminum housing.

Mounting:

Die-cast backbox with four (4) conduit entry points and knockout pattern for junction box or direct wall mounting. Hinged door for easy re-assembly.

Lens:

Prismatic, heat-resistant borosilicate glass

Reflector:

High-gloss white aluminum

Gaskets:

High-temperature silicone gaskets.

Finish:

Our environmentally friendly polyester powder coatings are formulated for high-durability and long-lasting color, and contains no VOC or toxic heavy metals.

Green Technology:

Mercury and UV free, and RoHS compliant. Polyester powder coat finish formulated without the use of VOC or toxic heavy metals.

Other

WP2LED with Photocell:

277V Swivel Photocell Included. Photocell is compatible with 208V-277V.

Warranty:

RAB warrants that our LED products will be free from defects in materials and workmanship for a period of five (5) years from the date of delivery to the end user, including coverage of light output, color stability, driver performance and fixture finish. See our full warranty

Country of Origin:

Designed by RAB in New Jersey and assembled in the USA by RAB's IBEW Local 3 workers.

Buy American Act Compliant:

This product is a COTS item manufactured in the United States, and is compliant with the Buy American Act.

Recovery Act (ARRA) Compliant:

This product complies with the 52.225-21 "Required Use of American Iron, Steel, and Manufactured Goods-- Buy American Act-- Construction Materials (October 2010).

Trade Agreements Act Compliant:

This product is a COTS item manufactured in the United States, and is compliant with the Trade Agreements Act.

GSA Schedule:

Suitable in accordance with FAR Subpart 25.4.

LED Characteristics

Color Stability:

LED color temperature is warranted to shift no more than 200K in CCT over a 5 year period.

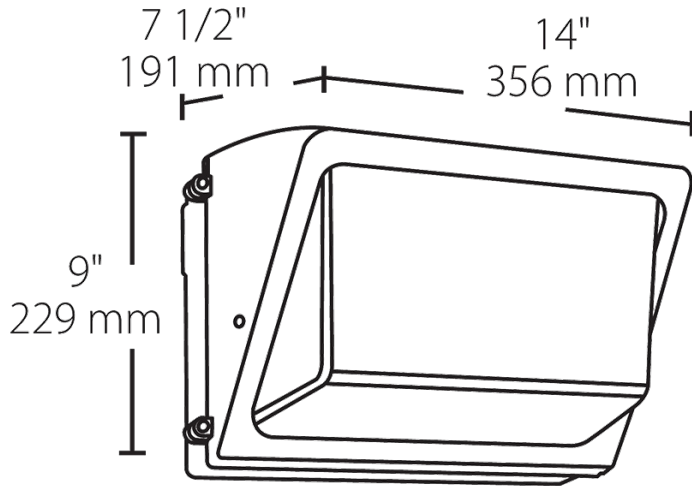
Color Uniformity:

RAB's range of CCT (Correlated color temperature) follows the guidelines of the American National Standard for Specifications for the Chromaticity of Solid State Lighting (SSL) Products, ANSI C78.377-2008.

WP2LED37N/PCS2



Dimensions



Features

- Affordable wallpack with traditional look
- Covers footprint of traditional HID wallpacks
- WP2LED replaces up to 175W MH
- 100,000-Hour LED lifespan
- Cutoff glare shield for "friendly" lighting

Ordering Matrix

Family	Watts	Color Temp	Finish	White	Voltage	Photocell
WP2LED	24 = 24W 37 = 37W	= Cool Y = Warm N = Neutral	= Bronze W = White	W = White	= 120-277V /480 = 480V (Only available for 37W)	/PC = 120V Button /PCS = 120V Swivel /PC2 = 277V Button /PCS2 = 277V Swivel /PCS4 = 480V Swivel