



LED 30W Wallpacks. Patent Pending thermal management system. 100,000 hour L70 lifespan. 5 Year Warranty.

Color: Bronze

Weight: 4.4 lbs

<b>Project:</b>	<b>Type:</b>
<b>Prepared By:</b>	<b>Date:</b>

Driver Info		LED Info	
Type:	Constant Current	Watts:	30W
120V:	0.25A	Color Temp:	5000K (Cool)
208V:	N/A	Color Accuracy:	83 CRI
240V:	N/A	L70 Lifespan:	100,000
277V:	N/A	Lumens:	3,060
Input Watts:	32W	Efficacy:	96 LPW
Efficiency:	94%		

## Technical Specifications

### Listings

#### UL Listing:

Suitable for wet locations. Wall mount only.

#### DLC Listed:

This product is on the Design Lights Consortium (DLC) Qualified Products List and is eligible for rebates from DLC Member Utilities.

#### IESNA LM-79 & LM-80 Testing:

RAB LED luminaires have been tested by an independent laboratory in accordance with IESNA LM-79 and LM-80, and have received the Department of Energy "Lighting Facts" label.

### Electrical

#### Driver:

Constant Current, Class 2, 700mA, 50/60 Hz. 100 - 277V, 4kV surge protection

#### Power Factor:

99.1% at 120V

#### THD:

8.3% at 120V

### Optical

#### BUG Rating:

B1 U3 G3

### Construction

#### Thermal Management:

Superior thermal management with die-cast aluminum heatsink

#### Ambient Temperature:

Suitable for use in 40°C (104°F) ambient temperatures.

#### Cold Weather Starting:

The minimum starting temperature is -40°F/-40°C.

#### Housing:

Precision die-cast aluminum housing.

#### Mounting:

Housing has three (3) conduit entry points and knockout pattern for junction box or direct wall mounting. Hinged door for easy re-assembly.

#### Lens:

High-impact, prismatic, UV-stabilized polycarbonate refractor lens

#### Reflector:

High-gloss white aluminum

#### Gaskets:

High-temperature silicone gaskets.

#### Finish:

Our environmentally friendly polyester powder coatings are formulated for high-durability and long-lasting color, and contains no VOC or toxic heavy metals.

#### Green Technology:

Mercury and UV free, and RoHS compliant. Polyester powder coat finish formulated without the use of VOC or toxic heavy metals.

### Other

#### WP1LED with Photocell:

120V Swivel Photocell Included. Photocell is only compatible with 120V.

#### Warranty:

RAB warrants that our LED products will be free from defects in materials and workmanship for a period of five (5) years from the date of delivery to the end user, including coverage of light output, color stability, driver performance and fixture finish. See our full warranty

#### Country of Origin:

Designed by RAB in New Jersey and assembled in the USA by RAB's IBEW Local 3 workers.

#### Buy American Act Compliant:

This product is a COTS item manufactured in the United States, and is compliant with the Buy American Act.

#### Recovery Act (ARRA) Compliant:

This product complies with the 52.225-21 "Required Use of American Iron, Steel, and Manufactured Goods-- Buy American Act-- Construction Materials (October 2010).

#### Trade Agreements Act Compliant:

This product is a COTS item manufactured in the United States, and is compliant with the Trade Agreements Act.

#### GSA Schedule:

Suitable in accordance with FAR Subpart 25.4.

### LED Characteristics

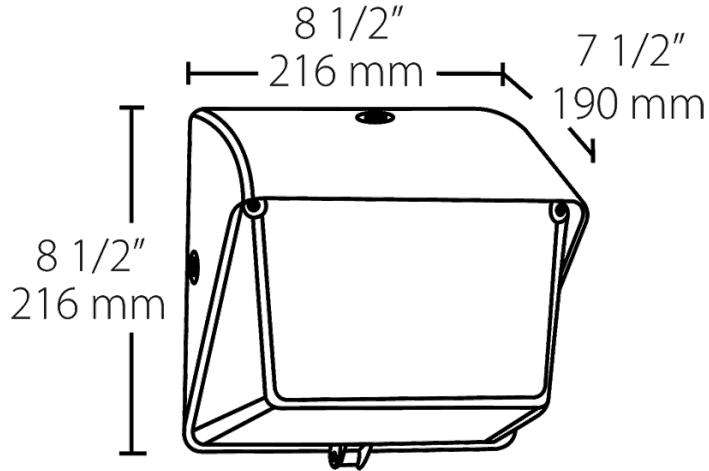
#### Color Stability:

LED color temperature is warranted to shift no more than 200K in CCT over a 5 year period.

#### Color Uniformity:

RAB's range of CCT (Correlated color temperature) follows the guidelines of the American National Standard for Specifications for the Chromaticity of Solid State Lighting (SSL) Products, ANSI C78.377-2008.

**Dimensions**



**Features**

- Affordable wallpack with traditional look
- Covers footprint of traditional HID wallpacks
- WP1LED replaces up to 100W MH
- 100,000-Hour LED lifespan
- Cutoff glare shield for "friendly" lighting

**Ordering Matrix**

Family	Watts	Color Temp	Finish	Voltage	Photocell
WP1LED	30 = 30W	= Cool Y = Warm N = Neutral	= Bronze W = White	= 120-277V /480 = 480V	/PC = 120V Button /PCS = 120V Swivel /PC2 = 277V Button /PCS2 = 277V Swivel /PCS4 = 480V Swivel