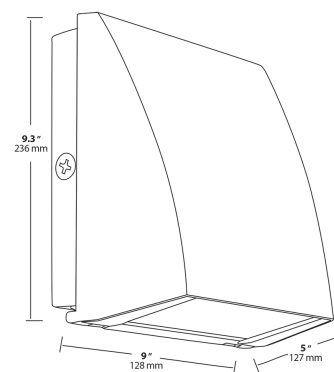


# SLIM37W/PCS

37, 57 and 62 Watt SLIM Wallpacks are designed to cover the footprint of most traditional wallpacks. They are suitable for mounting heights from 20' to 30', and replace HID wattages from 200W MH to 320W MH. These ultra-high efficiency fixtures are available in cutoff or full cutoff models.

Color: White

Weight: 7.5 lbs



## LED Info

Watts: 37W  
 Color Temp: 5000K (Cool)  
 Color Accuracy: 75  
 L70 Lifespan: 100000  
 LM79 Lumens: 2,688  
 Efficacy: 73 LPW

## Driver Info

Type: Constant Current  
 120V: 0.31A  
 208V: N/A  
 240V: N/A  
 277V: N/A  
 Input Watts: 37W  
 Efficiency: 100%

## Technical Specifications

### UL Listing:

Suitable for wet locations. Wall Mount only.

### Footprint:

Designed to replace RAB HID WP1 wallpacks, both in size and footprint template, so upgrading to LED is easy and seamless.

### Photocell:

120V Swivel Photocell Included. Photocell is only compatible with 120V.

### IP Rating:

Ingress Protection rating of IP66 for dust and water.

### LED:

Long-life, high-efficiency, micro-power, surface mount LEDs; binned and mixed for uniform light output and color.

### Lifespan:

100,000-hour LED lifespan based on IES LM-80 results and TM-21 calculations.

### Driver:

Constant Current, 100-277V. 50/60Hz, 100-277VAC  
 0.6A, 4kV Surge Protection, 700mA, Power Factor 99.6%.

### THD:

7.3% at 120V, 8.5% at 277V

### Correlated Color Temp. (Nominal CCT):

5000K

### Cold Weather Starting:

The minimum starting temperature is -40°F/-40°C.

### Ambient Temperature:

Suitable for use in 40°C (104°F) ambient temperatures.

### Thermal Management:

Superior thermal management with internal Air-Flow fins.

### Housing:

Precision die-cast aluminum housing and door frame.

### Mounting:

Die-cast back box with four (4) conduit entry points and knockout pattern for junction box or direct wall mounting. Hinged housing and bubble level for easy installation.

### Cutoff:

Cutoff (7.5°)

### Recommended Mounting Height:

Up to 20 ft.

### HID Replacement Range:

The SLIM37 can be used to replace 200W MH based on delivered lumens.

### Lens:

Microprismatic diffusion lens reduces glare and has smooth and even light distribution.

### Reflector:

Specular thermoplastic.

### Gaskets:

The unique design of the tight-lock gasket ensures no water or environmental elements will ever get inside the SLIM.

**DLC Listed:**

This product is on the Design Lights Consortium (DLC) Qualified Products List and is eligible for rebates from DLC Member Utilities.

**Accessories:**

Available accessories include polyshield and wire guard. Click to see all accessories.

**Finish:**

Our environmentally friendly polyester powder coatings are formulated for high-durability and long-lasting color, and contains no VOC or toxic heavy metals.

**Color Stability:**

LED color temperature is warranted to shift no more than 200K in CCT over a 5 year period.

**Color Consistency:**

7-step MacAdam Ellipse binning to achieve consistent fixture-to-fixture color.

**Green Technology:**

Mercury and UV free, and RoHS compliant.

**IESNA LM-79 & LM-80 Testing:**

RAB LED luminaires have been tested by an independent laboratory in accordance with IESNA LM-79 and LM-80, and have received the Department of Energy "Lighting Facts" label.

**Patents:**

The design of the SLIM™ is protected by patents pending in US, Canada, China, Taiwan and Mexico.

**Warranty:**

RAB warrants that our LED products will be free from defects in materials and workmanship for a period of five (5) years from the date of delivery to the end user, including coverage of light output, color stability, driver performance and fixture finish. See our full warranty .

**Country of Origin:**

Designed by RAB in New Jersey and assembled in the USA by RAB's IBEW Local 3 workers.

**Buy American Act Compliant:**

This product is a COTS item manufactured in the United States, and is compliant with the Buy American Act.

**Recovery Act (ARRA) Compliant:**

This product complies with the 52.225-21 "Required Use of American Iron, Steel, and Manufactured Goods-- Buy American Act-- Construction Materials (October 2010).

**Trade Agreements Act Compliant:**

This product is a COTS item manufactured in the United States, and is compliant with the Trade Agreements Act.

**GSA Schedule:**

Suitable in accordance with FAR Subpart 25.4.