



The versatile, low-cost, low-profile wall pack. BRISK™ - efficient and affordable LED light.

Color: Bronze

Weight: 2.0 lbs

**Project:**

**Type:**

**Prepared By:**

**Date:**

### Driver Info

Type	Constant Current
120V	0.07A
208V	0.05A
240V	0.04A
277V	0.03A
Input Watts	9.4W

### LED Info

Watts	9W
Color Temp	3000K (Warm)
Color Accuracy	71 CRI
L70 Lifespan	60,000 Hours
Lumens	1,124
Efficacy	119.6 lm/W

## Technical Specifications

### Compliance

#### UL Listed:

Suitable for wet locations

#### IESNA LM-79 & LM-80 Testing:

RAB LED luminaires and LED components have been tested by an independent laboratory in accordance with IESNA LM-79 and LM-80.

### Performance

#### Lifespan:

60,000-Hour LED lifespan based on IES LM-80 results and TM-21 calculations

### LED Characteristics

#### LEDs:

Long-life, high-efficacy, surface-mount LEDs

#### Color Uniformity:

RAB's range of Correlated Color Temperature follows the guidelines of the American National Standard for Specifications for the Chromaticity of Solid State Lighting (SSL) Products, ANSI C78.377-2017.

### Electrical

#### Driver:

Constant Current, Class 2, 50/60Hz, 120V: 0.07A, 208V: 0.05A, 240V: 0.04A, 277V: 0.03A

#### THD:

8.3% at 120V, 14.5% at 277V

#### Power Factor:

99.6% at 120V, 91.3% at 277V

#### Surge Protection:

2.5kV

### Construction

#### IP Rating:

Ingress Protection rating of IP66 for dust and water

### Maximum Ambient Temperature:

Suitable for use in up to 40°C (104°F)

### Cold Weather Starting:

The minimum starting temperature is -30°C (-22°F)

### Housing:

Precision die-cast aluminum

### Reflector:

Specular

## Technical Specifications (continued)

### Construction

#### Lens:

Diffused acrylic

#### Mounting:

Heavy duty, die-cast junction box with four (4) conduit entries (one top, two side, one back)

#### Gaskets:

Silicone foam

#### Finish:

Formulated for high durability and long-lasting color

### Green Technology:

Mercury and UV free. RoHS-compliant components.

### Optical

#### BUG Rating:

B0 U3 G1

### Other

#### Equivalency:

Equivalent to 35W HPS or 50W Metal Halide

#### 5 Yr Limited Warranty:

The RAB 5-year, limited warranty covers light output, driver performance and paint finish. RAB's warranty is subject to all terms and conditions found at [rablighting.com/warranty](http://rablighting.com/warranty).

### Replacement:

Replaces 75A/IF incandescent Inside Frost or 13W CFL

### Buy American Act Compliance:

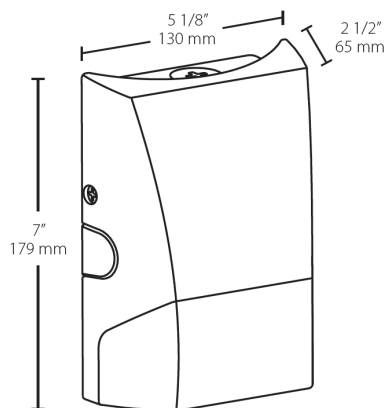
RAB values USA manufacturing! Upon request, RAB may be able to manufacture this product to be compliant with the Buy American Act (BAA). Please contact customer service to request a quote for the product to be made BAA compliant.

### Listings

#### DLC Listed:

This product is on the Design Lights Consortium (DLC) Qualified Products List and is eligible for rebates from DLC Member Utilities. DLC Product Code: PI9B66QH

## Dimensions



## Features

- Economical
- Traditional non-cutoff design
- 60,000-hour LED lifespan
- 5-Year, Limited Warranty

## Ordering Matrix

Family	Lumen Package/Wattage	CCT/CRI	Finish	Options
BRISK	S11L	730		
	<b>S11L</b> = 1100 lumens / 9W <b>S17L</b> = 1700 lumens / 14W <b>M32L</b> = 3200 lumens / 22W <b>M48L</b> = 4800 lumens / 35W	<b>Blank</b> = 5000K Cool / 70 CRI <b>740</b> = 4000K Neutral / 70 CRI <b>730</b> = 3000K Warm / 70 CRI	<b>Blank</b> = Bronze <b>W</b> = White	<b>Blank</b> = No Option <b>/PCU</b> = 120-277V Photocell