



The versatile, low-cost, low-profile wall pack. BRISK™ - efficient and affordable LED light.

Color: Bronze

Weight: 4.9 lbs

Project:

Type:

Prepared By:

Date:

Driver Info

Type	Constant Current
120V	0.33A
208V	0.21A
240V	0.18A
277V	0.15A
Input Watts	34.5W

LED Info

Watts	35W
Color Temp	5000K (Cool)
Color Accuracy	75 CRI
L70 Lifespan	60,000 Hours
Lumens	4,915
Efficacy	142.5 lm/W

Technical Specifications

Compliance

UL Listed:

Suitable for wet locations

IESNA LM-79 & LM-80 Testing:

RAB LED luminaires and LED components have been tested by an independent laboratory in accordance with IESNA LM-79 and LM-80.

Performance

Lifespan:

60,000-Hour LED lifespan based on IES LM-80 results and TM-21 calculations

LED Characteristics

LEDs:

Long-life, high-efficacy, surface-mount LEDs

Color Uniformity:

RAB's range of Correlated Color Temperature follows the guidelines of the American National Standard for Specifications for the Chromaticity of Solid State Lighting (SSL) Products, ANSI C78.377-2017.

Electrical

Driver:

Constant Current, Class 2, 50/60Hz, 120V: 0.33A, 208V: 0.21A, 240V: 0.18A, 277V: 0.15A

THD:

6.5% at 120V, 10.8% at 277V

Power Factor:

99.7% at 120V, 96% at 277V

Surge Protection:

2.5kV

Construction

IP Rating:

Ingress Protection rating of IP66 for dust and water

Maximum Ambient Temperature:

Suitable for use in up to 40°C (104°F)

Cold Weather Starting:

The minimum starting temperature is -30°C (-22°F)

Housing:

Precision die-cast aluminum

Reflector:

Specular

Technical Specifications (continued)

Construction

Lens:

Diffused acrylic

Mounting:

Heavy duty, die-cast junction box with four (4) conduit entries (one top, two side, one back)

Gaskets:

Silicone foam

Finish:

Formulated for high durability and long-lasting color

Green Technology:

Mercury and UV free. RoHS-compliant components.

Optical

BUG Rating:

B1 U4 G3

Other

Equivalency:

Equivalent to 150W Metal Halide or 100W HPS

5 Yr Limited Warranty:

The RAB 5-year, limited warranty covers light output, driver performance and paint finish. RAB's warranty is subject to all terms and conditions found at rablighting.com/warranty.

Replacement:

Replaces (2) 32W CFL, 42W CFL, 50W HPS or 70W MH (Pulse Start) - up to 100 Metal Halide

Buy American Act Compliance:

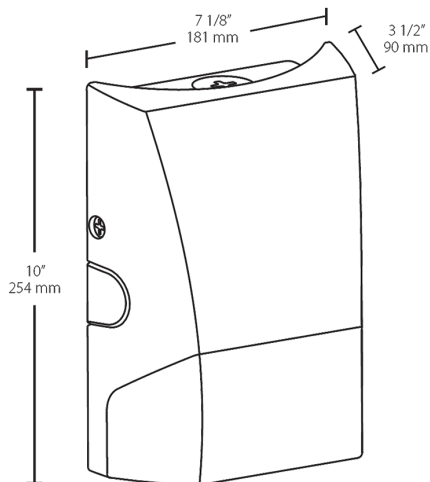
RAB values USA manufacturing! Upon request, RAB may be able to manufacture this product to be compliant with the Buy American Act (BAA). Please contact customer service to request a quote for the product to be made BAA compliant.

Listings

DLC Listed:

This product is listed by Design Lights Consortium (DLC) as an ultra-efficient premium product that qualifies for the highest tier of rebates from DLC Member Utilities. DLC Product Code: PHX3Y6K0

Dimensions



Features

- Economical
- Traditional non-cutoff design
- 60,000-hour LED lifespan
- 5-Year, Limited Warranty

Ordering Matrix

Family	Lumen Package/Wattage	CCT/CRI	Finish	Options
BRISK	M48L			
	S11L = 1100 lumens / 9W S17L = 1700 lumens / 14W M32L = 3200 lumens / 22W M48L = 4800 lumens / 35W	Blank = 5000K Cool / 70 CRI 740 = 4000K Neutral / 70 CRI 730 = 3000K Warm / 70 CRI	Blank = Bronze W = White	Blank = No Option /PCU = 120-277V Photocell