



The versatile, low-cost, low-profile wall pack. BRISK™ - efficient and affordable LED light.

Color: White

Weight: 4.9 lbs

**Project:**

**Type:**

**Prepared By:**

**Date:**

### Driver Info

|             |                  |
|-------------|------------------|
| Type        | Constant Current |
| 120V        | 0.33A            |
| 208V        | 0.21A            |
| 240V        | 0.18A            |
| 277V        | 0.15A            |
| Input Watts | 34.6W            |

### LED Info

|                |              |
|----------------|--------------|
| Watts          | 35W          |
| Color Temp     | 3000K (Warm) |
| Color Accuracy | 71 CRI       |
| L70 Lifespan   | 60,000 Hours |
| Lumens         | 4,798        |
| Efficacy       | 138.7 lm/W   |

## Technical Specifications

### Compliance

#### UL Listed:

Suitable for wet locations

#### IESNA LM-79 & LM-80 Testing:

RAB LED luminaires and LED components have been tested by an independent laboratory in accordance with IESNA LM-79 and LM-80.

### Performance

#### Lifespan:

60,000-Hour LED lifespan based on IES LM-80 results and TM-21 calculations

### LED Characteristics

#### LEDs:

Long-life, high-efficacy, surface-mount LEDs

#### Color Uniformity:

RAB's range of Correlated Color Temperature follows the guidelines of the American National Standard for Specifications for the Chromaticity of Solid State Lighting (SSL) Products, ANSI C78.377-2017.

### Electrical

#### Driver:

Constant Current, Class 2, 50/60Hz, 120V: 0.33A, 208V: 0.21A, 240V: 0.18A, 277V: 0.15A

#### THD:

6.5% at 120V, 10.7% at 277V

#### Power Factor:

99.7% at 120V, 96% at 277V

#### Surge Protection:

2.5kV

#### Photocell:

120-277V Button Photocell Included. Photocell is compatible with 120V-277V.

### Construction

#### IP Rating:

Ingress Protection rating of IP66 for dust and water

#### Maximum Ambient Temperature:

Suitable for use in up to 40°C (104°F)

#### Cold Weather Starting:

The minimum starting temperature is -30°C (-22°F)

#### Housing:

Precision die-cast aluminum

## Technical Specifications (continued)

### Construction

#### Reflector:

Specular

#### Lens:

Diffused acrylic

#### Mounting:

Heavy duty, die-cast junction box with four (4) conduit entries (one top, two side, one back)

#### Gaskets:

Silicone foam

#### Finish:

Formulated for high durability and long-lasting color

#### Green Technology:

Mercury and UV free. RoHS-compliant components.

#### Optical

#### BUG Rating:

B1 U4 G3

#### Other

#### Equivalency:

Equivalent to 150W Metal Halide or 100W HPS

#### 5 Yr Limited Warranty:

The RAB 5-year, limited warranty covers light output, driver performance and paint finish. RAB's warranty is subject to all terms and conditions found at [rablighting.com/warranty](http://rablighting.com/warranty).

#### Replacement:

Replaces (2) 32W CFL, 42W CFL, 50W HPS or 70W MH (Pulse Start) - up to 100 Metal Halide

#### Buy American Act Compliance:

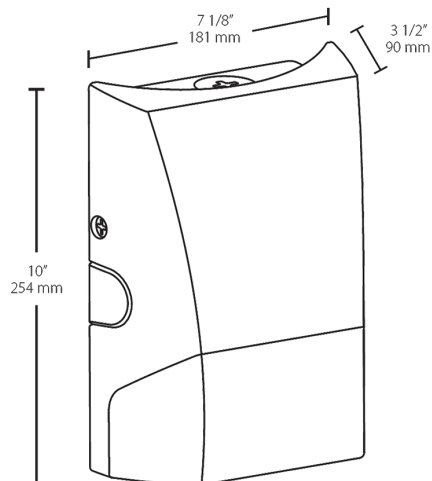
RAB values USA manufacturing! Upon request, RAB may be able to manufacture this product to be compliant with the Buy American Act (BAA). Please contact customer service to request a quote for the product to be made BAA compliant.

#### Listings

#### DLC Listed:

This product is listed by Design Lights Consortium (DLC) as an ultra-efficient premium product that qualifies for the highest tier of rebates from DLC Member Utilities. DLC Product Code: PGPLA0MC

## Dimensions



## Features

Economical

Traditional non-cutoff design

60,000-hour LED lifespan

5-Year, Limited Warranty

## Ordering Matrix

| Family | Lumen Package/Wattage   | CCT/CRI   | Finish                                    | Options  |
|--------|---|---|---|--|
| BRISK  | M48L  | 730   | W   | /PCU   |
|        | <b>S11L</b> = 1100 lumens / 9W<br><b>S17L</b> = 1700 lumens / 14W<br><b>M32L</b> = 3200 lumens / 22W<br><b>M48L</b> = 4800 lumens / 35W | <b>Blank</b> = 5000K Cool / 70 CRI<br><b>740</b> = 4000K Neutral / 70 CRI<br><b>730</b> = 3000K Warm / 70 CRI | <b>Blank</b> = Bronze<br><b>W</b> = White | <b>Blank</b> = No Option<br><b>/PCU</b> = 120-277V Photocell |