

# BRISK™ INSTALLATION INSTRUCTIONS



Thank you for buying RAB lighting fixtures. Our goal is to design the best quality products to get the job done right. We'd like to hear your comments. Call the Marketing Department at 888-RAB-1000 or email: [marketing@rablighting.com](mailto:marketing@rablighting.com)



BRISK M



BRISK S

## IMPORTANT

**READ CAREFULLY BEFORE INSTALLING FIXTURE. RETAIN THESE INSTRUCTIONS FOR FUTURE REFERENCE.**

Fixtures must be wired in accordance with the National Electrical Code and all applicable local codes. Proper grounding is required for safety. THIS PRODUCT MUST BE INSTALLED IN ACCORDANCE WITH THE APPLICABLE INSTALLATION CODE BY A PERSON FAMILIAR WITH THE CONSTRUCTION AND OPERATION OF THE PRODUCT AND THE HAZARDS INVOLVED.

**WARNING: Make certain power is OFF before installing or maintaining fixture. No user-serviceable parts inside.**

**CAUTION: For proper weatherproof function all gaskets must be seated properly and all screws inserted and tightened important with an uneven wall surface. Silicone all plugs and unused conduit entries.**

## MOUNTING TO JUNCTION BOX/ WALL

1. Loosen the **Screws (2)** and open the **Housing**.
2. Knock out appropriate slots in **Knockout Pattern**, secure to **Junction Box (not supplied)** with appropriate hardware. Check that gasket is fully sealed. Feed supply wires through **Junction Box** into **Wall Mounting Box** through **Silicone Wiring Plug**.
3. Alternatively, secure **Wall Mounting Box** to a sturdy wall. Use appropriate mounting hardware such as lag bolts and anchors with washers suitable for the mounting surface. Use **Conduit Entries** and conduit connectors. Wire the **Housing** leads to supply wires using UL listed wire connectors according to NEC and local codes.
4. Check that gasket is fully sealed. Silicone around the edge of **Wall Mounting Box** and/ or **Junction Box**.
5. Place wired **Housing** over the **Wall Mounting Box**, close and tighten the **Screws**. Check that door gasket is properly sealed.
6. Tighten **Plugs** and apply weatherproof silicone sealant to all unused **conduit entry** points. If outdoor surface is irregular, use caulk to seal any gaps around **Wall Mounting Box**.

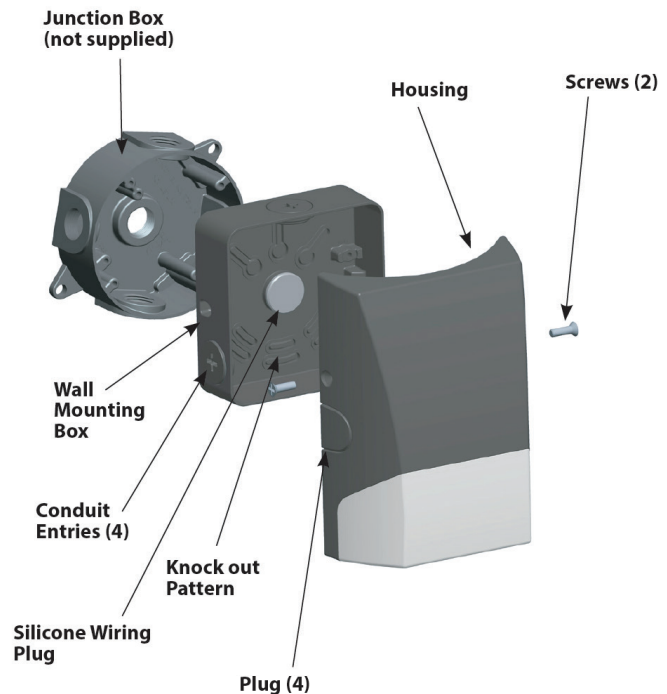


Fig. 1

PATENT - Pending: Pat. Pending

Note: These instructions do not cover all details or variations in equipment nor do they provide for every possible situation during installation, operation or maintenance.



© 2018 RAB LIGHTING Inc.  
Northvale, New Jersey 07647 USA

## Easy Answers

[rablighting.com](http://rablighting.com)  
Visit our website for product info

Tech Help Line  
Call our experts - 888 722-1000

e-mail  
Answered promptly - [sales@rablighting.com](mailto:sales@rablighting.com)

Free Lighting Layouts  
Answered online or by request

BRISK IN 1018

# BRISK™ INSTALLATION INSTRUCTIONS



Thank you for buying RAB lighting fixtures. Our goal is to design the best quality products to get the job done right. We'd like to hear your comments. Call the Marketing Department at 888-RAB-1000 or email: [marketing@rablighting.com](mailto:marketing@rablighting.com)

## ON-OFF WIRING

Universal voltage driver permits operation at 120V through 277V, 50 or 60 Hz. Units ordered with '/PCU' suffix operate at 120V through 277V. For Non-Dimming, follow the wiring directions as in Fig. 2.

1. Connect the BLACK fixture lead to the (+) LINE supply lead.
2. Connect the WHITE fixture lead to the (-) COMMON supply lead.
3. Connect the ground wire from fixture to supply ground.

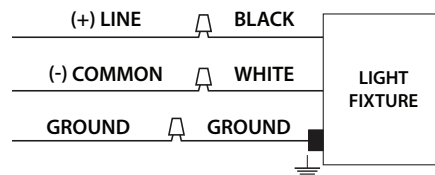


Fig. 2

## CLEANING & MAINTENANCE

**CAUTION: Be sure fixture temperature is cool enough to touch. Do not clean or maintain while fixture is energized.**

1. Clean acrylic lens & fixture with non-abrasive cleaning solution.
2. Do not open fixture to clean the LED. Do not touch the LED.

## TROUBLESHOOTING

1. Check that the line voltage at fixture is correct. Refer to wiring directions.
2. Is the fixture grounded properly?

PATENT - Pending: Pat. Pending

*Note: These instructions do not cover all details or variations in equipment nor do they provide for every possible situation during installation, operation or maintenance.*



© 2018 RAB LIGHTING Inc.  
Northvale, New Jersey 07647 USA

### Easy Answers

[rablighting.com](http://rablighting.com)  
Visit our website for product info

Tech Help Line  
Call our experts - 888 722-1000

e-mail  
Answered promptly - [sales@rablighting.com](mailto:sales@rablighting.com)

Free Lighting Layouts  
Answered online or by request