

WP1CKW

Kits to convert current and older models to glass or cutoff Wallpacks.

Technical Specifications

Conduit Openings:

Top, side and back

Template:

Drilling template for easy wall box mounting

Patents:

RAB sensor and fixture designs are protected under U.S. and International Intellectual Property laws.

Country of Origin:

Designed by RAB in New Jersey and assembled in the USA by IBEW Local 3

Buy American Act Compliant:

This product is a COTS item manufactured in the United States, and is compliant with the Buy American Act.

Recovery Act (ARRA) Compliant:

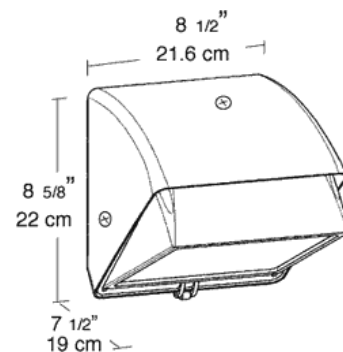
This product complies with the 52.225-21 "Required Use of American Iron, Steel, and Manufactured Goods-- Buy American Act-- Construction Materials (October 2010)

Trade Agreements Act Compliant:

This product is a COTS item manufactured in the United States, and is compliant with the Trade Agreements Act.

GSA Schedule:

This product is suitable for listing on the GSA Schedule of the US General Services in accordance with FAR Subpart 25.4



Color: White

Weight: 5.6 lbs