



# VXBR200DGS/F22

JOB NAME: \_\_\_\_\_  
 DATE: \_\_\_\_\_  
 TYPE: \_\_\_\_\_

## DESCRIPTION

Die cast aluminum construction. Wall bracket plus junction box with sturdy mounting lugs. Medium base socket, 1/2" or 3/4" NPS hub size and a variety of globes. Incandescent up to 300 watts. CFL 13 or 22 watts. CFL lamp supplied. Incandescent lamp not supplied.

## SPECIFICATIONS

### Globes:

Supplied with clear heat resistant glass globes unless otherwise stated. Colored and white glass globes available. Unbreakable RAB Permaglobes available in clear and in color.

### Optional Reflectors:

Highly reflective white baked polyester epoxy powder finish over a heavy gauge aluminum base. Reflectors thread onto fixtures. See RV series.

### Socket:

Premium porcelain with 150° C 8" leads attached. Fastened with 2 brass screws.

### UL Listing:

Suitable for wet locations. Suitable for use in dwellings. Suitable for use with 90° C supply wiring. Complies with UL Standard 1598. For non-hazardous locations where the lamp, socket and wiring require protection from rain, corrosive fumes, non-combustible dusts, moisture, non-explosive vapors and gases.

### Wattage:

See catalog number chart for maximum wattage with clear glass, colored glass and Permaglobes.

### Ballast Minimum Starting Temperature:

32  
**Colored Globe Maximum Watts:**  
 200 watts

### Die Cast Guard:

Supplied with one piece silver gray die cast guard with set screw

### F22:

Compact Fluorescent 22W

### Maximum Watts:

300 watts

### Patents:

RAB sensor and fixture designs are protected under U.S. and International Intellectual Property laws.

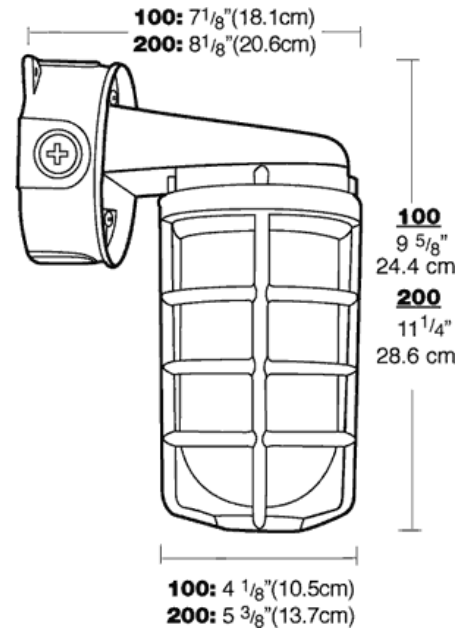
### Color:

Silver

### Weight:

36

## DIMENSIONS



## ORDERING INFORMATION

Compact Fluorescent Lamp supplied with fixture	Total Watts	Lamp Type	Lamp Base	Ballast	Starting Amps/ Operating Amps				Input Watts	LAMP ANSI	Initial Lumens	Lamp Hours
					120V	208V	240V	277V				
	22	22W	GX32d-2	NPF 120V	0.45				25		1200	10000
		Quad										

**Factory Installed Options**  
 Add suffix to Catalog Number

Note: Specifications may change without notice