



VXBR100DGS/F13

JOB NAME: _____
DATE: _____
TYPE: _____

DESCRIPTION

Die cast aluminum construction. Wall bracket plus junction box with sturdy mounting lugs. Medium base socket, 1/2" or 3/4" NPS hub size and a variety of globes. Incandescent up to 300 watts. CFL 13 or 22 watts. CFL lamp supplied. Incandescent lamp not supplied.

SPECIFICATIONS

Globes:

Supplied with clear heat resistant glass globes unless otherwise stated. Colored and white glass globes available. Unbreakable RAB Permaglobes available in clear and in color.

Optional Reflectors:

Highly reflective white baked polyester epoxy powder finish over a heavy gauge aluminum base. Reflectors thread onto fixtures. See RV series.

Socket:

Premium porcelain with 150° C 8" leads attached. Fastened with 2 brass screws.

UL Listing:

Suitable for wet locations. Suitable for use in dwellings. Suitable for use with 90° C supply wiring. Complies with UL Standard 1598. For non-hazardous locations where the lamp, socket and wiring require protection from rain, corrosive fumes, non-combustible dusts, moisture, non-explosive vapors and gases.

Wattage:

See catalog number chart for maximum wattage with clear glass, colored glass and Permaglobes.

Ballast Minimum Starting Temperature:
32

Colored Globe Maximum Watts:
100 watts

Die Cast Guard:

Supplied with one piece silver gray die cast guard with set screw

F13:
Compact Fluorescent 13W

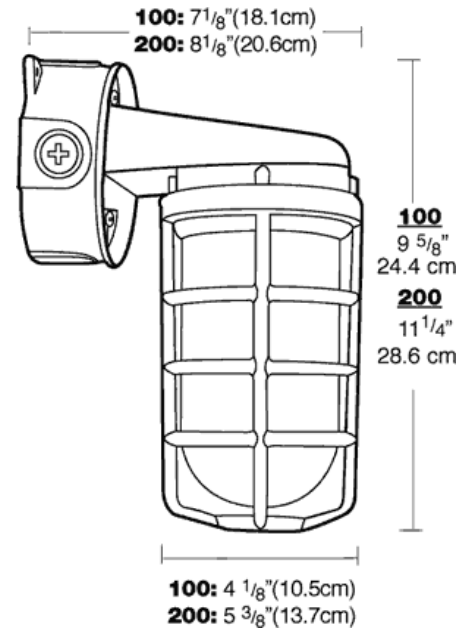
Maximum Watts:
150 watts

Patents:
RAB sensor and fixture designs are protected under U.S. and International Intellectual Property laws.

Color:
Silver

Weight:
3.67

DIMENSIONS



ORDERING INFORMATION

Compact Fluorescent Lamp supplied with fixture	Total Watts	Lamp Type	Lamp Base	Ballast	Starting Amps/ Operating Amps				Input Watts	LAMP ANSI	Initial Lumens	Lamp Hours
					120V	208V	240V	277V				
	13	13W	GX23	NPF 120V	0.35				17	825	10000	
		Quad										

Factory Installed Options
Add suffix to Catalog Number

Note: Specifications may change without notice