

# VBR200DGS

JOB NAME: \_\_\_\_\_

DATE: \_\_\_\_\_

TYPE: \_\_\_\_\_

## DESCRIPTION

Die cast aluminum construction with sturdy wall mounting bracket. Medium base socket and a variety of globes. Incandescent up to 200 watts. CFL 13 or 22 watts. Fits 4" box. CFL lamp supplied. Incandescent lamp not supplied.

## SPECIFICATIONS

### Globes:

Supplied with clear heat resistant glass globes unless otherwise stated. Colored and white glass globes available. Unbreakable RAB Permaglobes available in clear and in color.

### Optional Reflectors:

Highly reflective white baked polyester epoxy powder finish over a heavy gauge aluminum base. Reflectors thread onto fixtures. See RV series.

### Socket:

Premium porcelain with 150° C 8" leads attached. Fastened with 2 brass screws.

### Wattage:

See catalog number chart for maximum wattage with clear glass, colored glass and Permaglobes.

### Colored Globe Maximum Watts:

150 watts

### UL Listing:

Suitable for wet locations. Suitable for use in dwellings. Suitable for use with 90° C supply wiring. Complies with UL Standard 1598. For non-hazardous locations where the lamp, socket and wiring require protection from rain, corrosive fumes, non-combustible dusts, moisture, non-explosive vapors and gases.

### Die Cast Guard:

Supplied with one piece silver gray die cast guard with set screw

### Maximum Watts:

200 watts

### Patents:

RAB sensor and fixture designs are protected under U.S. and International Intellectual Property laws.

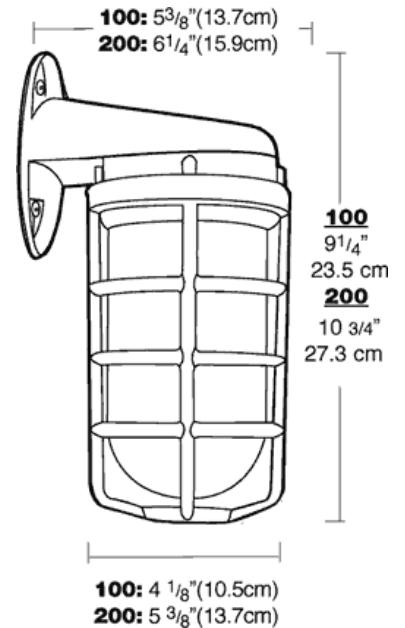
### Color:

Silver

### Weight:

4

## DIMENSIONS



## ORDERING INFORMATION

Total Watts	Lamp Type	Lamp Base	Ballast	Starting Amps/ Operating Amps				Input Watts	LAMP ANSI	Initial Lumens	Lamp Hours
				120V	208V	240V	277V				
200	A19	Medium	0	0	0	0	0	0	0	0	

### Factory Installed Options

Add suffix to Catalog Number

Note: Specifications may change without notice