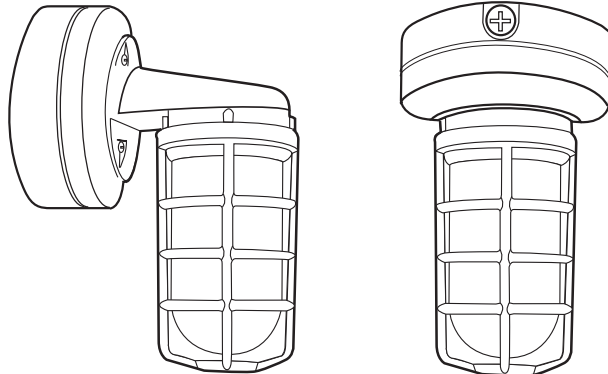


RAB

VAPORPROOF HID & CFL

Installation Instructions

 US LISTED
SUITABLE FOR WET LOCATIONS



Thank you for buying RAB lighting fixtures. Our aim is to design the best quality products so you can get the job done right. We'd like to hear your comments. Call us at 888-RAB-1000, attention Marketing Department.

IMPORTANT

READ CAREFULLY BEFORE INSTALLING FIXTURE. RETAIN INSTRUCTIONS FOR FUTURE REFERENCE.

RAB Wallpacks must be wired in accordance with the National Electrical Code and applicable local codes. Proper grounding is required for safety.

WARNING: MAKE CERTAIN POWER IS OFF BEFORE INSTALLING OR MAINTAINING FIXTURE

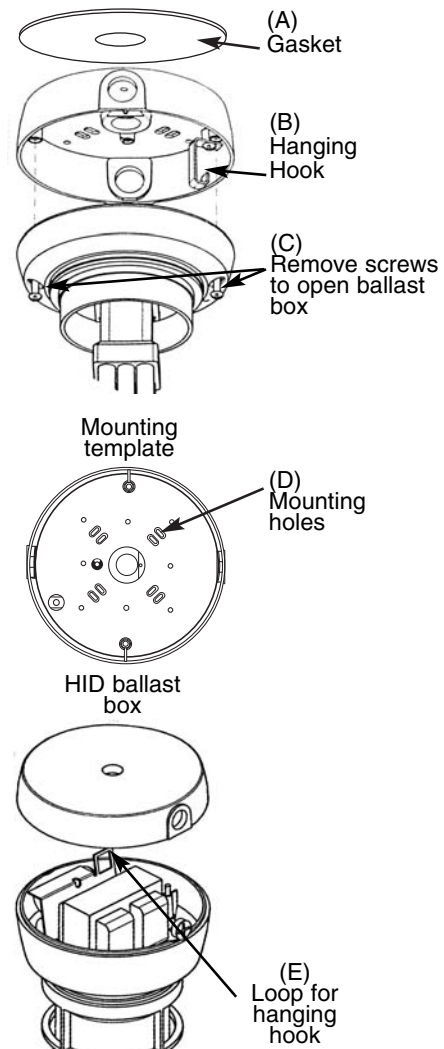
LOCATION

Fixture should be located on wall or ceiling and not be recessed. Fixture must be positioned with lamp facing down. Not suitable for pendant mount. If pendant mount is required, contact RAB and we will send you a pendant cap.

MOUNTING

1. Remove screws to open ballast box (C).
2. Prepare ballast box back for use by knocking out appropriate mounting holes (D). Fixture can be wired through the back conduit entrance or surface mounted.
3. Line up the ballast box back in desired location and mount securely.
4. Complete the wiring to the power source and ground (see wiring instructions). The ballast box back has a hanging hook (B) and the ballast box front has a loop (E) for hanging during wiring.
5. Reattach the ballast box front to the back.
6. To insure weatherproof seal, make sure all holes (mounting, plugs, conduit, etc.) are sealed with weatherproof silicone sealant.

IMPORTANT: FIXTURE MUST BE INSTALLED WITH LAMP BASE UP



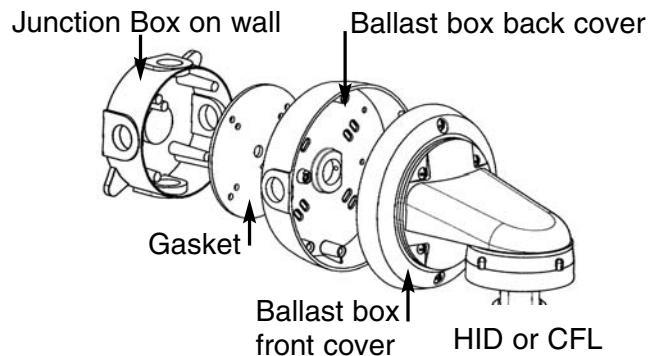
(over)

RAB

VAPORPROOF HID & CFL

WALL MOUNTING

1. Unscrew back of ballast box from front.
2. Prepare ballast box back for use by knocking out appropriate mounting holes. Fixture can be wired through the back conduit entrance or surface mounted.
3. Line up the ballast box back in desired location and mount securely.
4. Complete the wiring to the power source and ground (see wiring instructions). The ballast box back has a handy hook and the ballast box front has a loop for hanging during wiring.
5. Reattach the ballast box front to the back.
6. To insure a weatherproof installation, make sure all holes (mounting, plugs, conduit, etc.) are sealed with weatherproof silicone sealant.



IMPORTANT: FIXTURE MUST BE INSTALLED WITH LAMP BASE UP.

WIRING

Use supply wire rated for 90°C.

The units are wired for 120V. Units built for a specific voltage are factory-wired for the requested voltage. Make sure the supply voltage is compatible with the unit. Multi tap units may be used with a choice of 120v, 208v, 240v and 277v, provided that proper ballast leads are connected in the field.

1. Connect the appropriate voltage ballast lead to the black supply lead.
2. Connect the common ballast lead to white supply lead.
3. Fixture ground wire must be connected to supply ground.
4. All unused leads must be capped and insulated.

CLEANING

Clean fixture and globe with nonabrasive glass cleaning solution or detergent. Rinse with clean water.

Easy Installation & Product Help

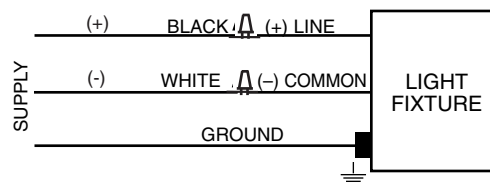
Fax On Demand
Faxed Tips & Specs,
24 / 7
888 RAB-1236

www.rabweb.com
Visit our internet site for
color product photos
and installation tips.

Tech Help Line
Call our friendly experts.
8AM - 5PM ET Mon. - Fri.
888 RAB-1000

e-mail
Your questions and requests
will be answered promptly.
sales@rabweb.com

RAB Lighting
170 Ludlow Avenue Northvale, New Jersey 07647 U.S.A.



RE-LAMPING

WARNING: Make certain power is off before installing or maintaining fixture

Open fixture by unscrewing guard and globe from fixture. Prior to installing, check that the lamp is of proper type and wattage. Observe lamp manufacturer's recommendations on lamp operation, ballast type and burning positions. Caution: Be sure fixture temperature is cool enough to touch.

Replacement Lamps

METAL HALIDE

Wattage	RAB Catalog #	ANSI Code
50	LMH50	M110
70	LMH70	M98
100	LMH100	M90

HPS

Wattage	RAB Catalog #	ANSI Code
35	LHPS35	S76
50	LHPS50	S68
70	LHPS70	S62
100	LHPS100	S54

CFL

Wattage	RAB Catalog #
13	LCFL13Q
26	LCFL26T
32	LCFL32
42	LCFL42

THESE INSTRUCTIONS DO NOT COVER ALL DETAILS OR VARIATIONS IN EQUIPMENT, NOR DO THEY PROVIDE FOR EVERY POSSIBLE CONTINGENCY TO BE MET IN CONNECTION WITH INSTALLATION, OPERATION OR MAINTENANCE.

--9498-O © RAB Lighting, 6/05