



# VX100DGB-3/4



JOB NAME: \_\_\_\_\_  
 DATE: \_\_\_\_\_  
 TYPE: \_\_\_\_\_

## DESCRIPTION

Box mount, die cast aluminum with built-in junction box and sturdy mounting lugs. Medium base socket, 1/2" or 3/4" NPS hub size and a variety of globes.

## SPECIFICATIONS

### Globes:

Supplied with clear thermal shock resistant soda lime glass unless otherwise stated. Colored and white glass globes available. Unbreakable Permaglobes available in clear and in color.

### UL Listing:

Suitable for wet locations. Suitable for use in dwellings. Suitable for use with 90° C supply wiring. Complies with UL Standard 1598. For non-hazardous locations where the lamp, socket and wiring require protection from rain, corrosive fumes, non-combustible dusts, moisture, non-explosive vapors and gases. For lamp base up installation only when outdoors.

### Colored Globe Maximum Watts:

100 watts

### Die Cast Guard:

Supplied with one piece black die cast guard with set screw

### Hub Size:

3/4" Tapped

### Maximum Watts:

150 watts

### Patents:

RAB sensor and fixture designs are protected under U.S. and International Intellectual Property laws.

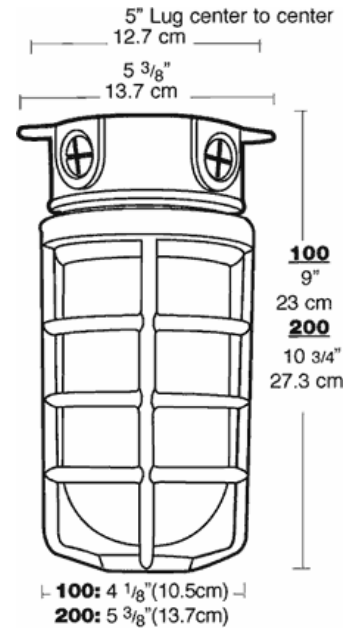
### Color:

Black

### Weight:

3

## DIMENSIONS



## ORDERING INFORMATION

| Total Watts | Lamp Type | Lamp Base | Ballast | Starting Amps/ Operating Amps |      |      |      | Input Watts | LAMP ANSI | Initial Lumens | Lamp Hours |
|-------------|-----------|-----------|---------|-------------------------------|------|------|------|-------------|-----------|----------------|------------|
|             |           |           |         | 120V                          | 208V | 240V | 277V |             |           |                |            |
| 150         | A19       | Medium    | 0       | 0                             | 0    | 0    | 0    | 0           | 0         | 0              |            |

**Factory Installed Options**  
 Add suffix to Catalog Number

Note: Specifications may change without notice

**RAB Lighting, Inc.** • 170 Ludlow Ave • Northvale, NJ 07647 • Tel: 888 RAB-1000 • Fax: 888 RAB-1232 • www.rabweb.com  
 © 2010 RAB Lighting, Inc.