

VC200DG/F13/277

JOB NAME: _____

DATE: _____

TYPE: _____

DESCRIPTION

Die cast aluminum construction. Mounts to existing surface or recessed 4" boxes Adapter plate provided. Medium base socket and a variety of globes. Incandescent up to 150 watts (lamp not supplied). CFL: 13 or 22 watts (Lamp supplied).

SPECIFICATIONS

Globes:

Supplied with clear thermal shock resistant soda lime glass unless otherwise stated. Colored and white glass globes available. Unbreakable Permaglobes available in clear and in color.

UL Listing:

Suitable for wet locations. Suitable for use in dwellings. Suitable for use with 90° C supply wiring. Complies with UL Standard 1598. For non-hazardous locations where the lamp, socket and wiring require protection from rain, corrosive fumes, non-combustible dusts, moisture, non-explosive vapors and gases. For lamp base up installation only when outdoors.

Ballast Minimum Starting Temperature:
32

Ballast Volts:

277 Volt

Colored Globe Maximum Watts:

100 watts

Die Cast Guard:

Supplied with one piece die cast guard with set screw

F13:

Compact Fluorescent 13W

Maximum Watts:

150 watts

Patents:

RAB sensor and fixture designs are protected under U.S. and International Intellectual Property laws.

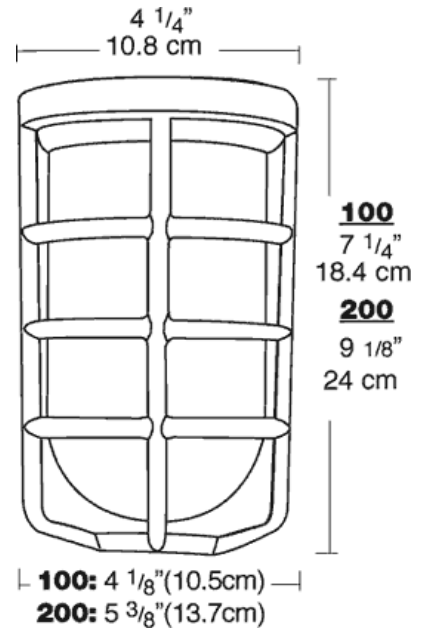
Color:

Natural

Weight:

24

DIMENSIONS



ORDERING INFORMATION

Compact Fluorescent Lamp supplied with fixture	Total Watts	Lamp Type	Lamp Base	Ballast	Starting Amps/ Operating Amps				Input Watts	LAMP ANSI	Initial Lumens	Lamp Hours
					120V	208V	240V	277V				
	13	13W	GX23	NPF 277V				0.4	19	825	10000	
		Quad										

Factory Installed Options
Add suffix to Catalog Number

Note: Specifications may change without notice