

# VC200DGS/F22

JOB NAME: \_\_\_\_\_

DATE: \_\_\_\_\_

TYPE: \_\_\_\_\_

## DESCRIPTION

Die cast aluminum construction. Mounts to existing surface or recessed 4" boxes Adapter plate provided. Medium base socket and a variety of globes. Incandescent up to 150 watts (lamp not supplied). CFL: 13 or 22 watts (Lamp supplied).

## SPECIFICATIONS

### Globes:

Supplied with clear thermal shock resistant soda lime glass unless otherwise stated. Colored and white glass globes available. Unbreakable Permaglobes available in clear and in color.

### UL Listing:

Suitable for wet locations. Suitable for use in dwellings. Suitable for use with 90° C supply wiring. Complies with UL Standard 1598. For non-hazardous locations where the lamp, socket and wiring require protection from rain, corrosive fumes, non-combustible dusts, moisture, non-explosive vapors and gases. For lamp base up installation only when outdoors.

**Ballast Minimum Starting Temperature:**  
32

### Colored Globe Maximum Watts:

100 watts

### Die Cast Guard:

Supplied with one piece silver gray die cast guard with set screw

### F22:

Compact Fluorescent 22W

### Maximum Watts:

150 watts

### Patents:

RAB sensor and fixture designs are protected under U.S. and International Intellectual Property laws.

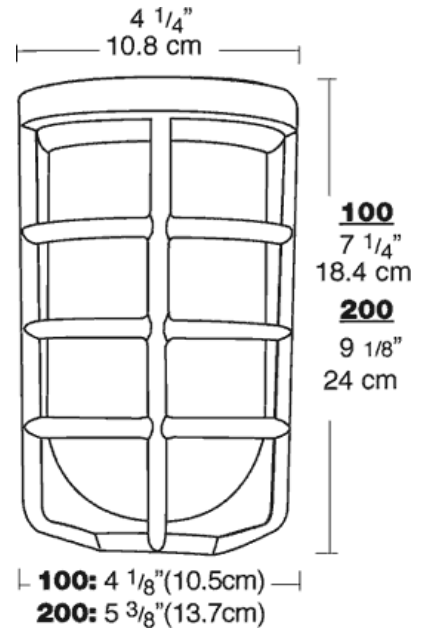
### Color:

Silver

### Weight:

4

## DIMENSIONS



## ORDERING INFORMATION

Compact Fluorescent Lamp supplied with fixture	Total Watts	Lamp Type	Lamp Base	Ballast	Starting Amps/ Operating Amps				Input Watts	LAMP ANSI	Initial Lumens	Lamp Hours
					120V	208V	240V	277V				
	22	22W	GX32d-2	NPF 120V Quad	0.45				25		1200	10000

**Factory Installed Options**  
Add suffix to Catalog Number

Note: Specifications may change without notice