



VC100DG/F13



JOB NAME: _____
 DATE: _____
 TYPE: _____

DESCRIPTION

Die cast aluminum construction. Mounts to existing surface or recessed 4" boxes Adapter plate provided. Medium base socket and a variety of globes. Incandescent up to 150 watts (lamp not supplied). CFL: 13 or 22 watts (Lamp supplied).

SPECIFICATIONS

Globes:

Supplied with clear thermal shock resistant soda lime glass unless otherwise stated. Colored and white glass globes available. Unbreakable Permaglobes available in clear and in color.

UL Listing:

Suitable for wet locations. Suitable for use in dwellings. Suitable for use with 90° C supply wiring. Complies with UL Standard 1598. For non-hazardous locations where the lamp, socket and wiring require protection from rain, corrosive fumes, non-combustible dusts, moisture, non-explosive vapors and gases. For lamp base up installation only when outdoors.

Ballast Minimum Starting Temperature:
32

Colored Globe Maximum Watts:

100 watts

Die Cast Guard:

Supplied with one piece die cast guard with set screw

F13:

Compact Fluorescent 13W

Maximum Watts:

100 watts

Patents:

RAB sensor and fixture designs are protected under U.S. and International Intellectual Property laws.

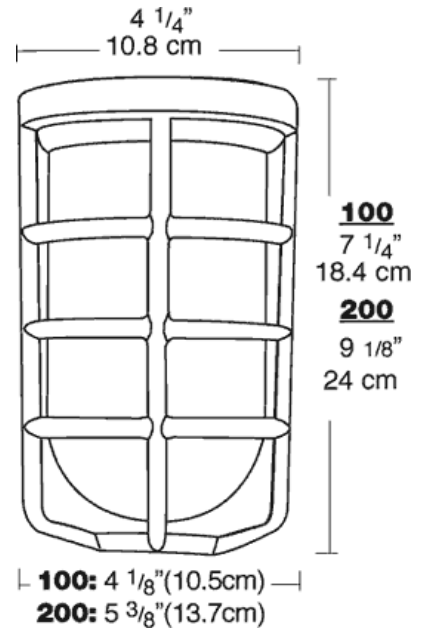
Color:

Natural

Weight:

2.5

DIMENSIONS



ORDERING INFORMATION

Compact Fluorescent Lamp supplied with fixture	Total Watts	Lamp Type	Lamp Base	Ballast	Starting Amps/ Operating Amps				Input Watts	LAMP ANSI	Initial Lumens	Lamp Hours
					120V	208V	240V	277V				
	13	13W	GX23	NPF 120V Quad	0.35				17		825	10000

Factory Installed Options
Add suffix to Catalog Number

Note: Specifications may change without notice

RAB Lighting, Inc. • 170 Ludlow Ave • Northvale, NJ 07647 • Tel: 888 RAB-1000 • Fax: 888 RAB-1232 • www.rabweb.com
 © 2010 RAB Lighting, Inc.