

# RAB LIGHTING

## VC100DG



JOB NAME: \_\_\_\_\_  
 DATE: \_\_\_\_\_  
 TYPE: \_\_\_\_\_

### DESCRIPTION

Die cast aluminum construction. Mounts to existing surface or recessed 4" boxes Adapter plate provided. Medium base socket and a variety of globes. Incandescent up to 150 watts (lamp not supplied). CFL: 13 or 22 watts (Lamp supplied).

### SPECIFICATIONS

#### Globes:

Supplied with clear thermal shock resistant soda lime glass unless otherwise stated. Colored and white glass globes available. Unbreakable Permaglobes available in clear and in color.

#### UL Listing:

Suitable for wet locations. Suitable for use in dwellings. Suitable for use with 90° C supply wiring. Complies with UL Standard 1598. For non-hazardous locations where the lamp, socket and wiring require protection from rain, corrosive fumes, non-combustible dusts, moisture, non-explosive vapors and gases. For lamp base up installation only when outdoors.

#### Colored Globe Maximum Watts:

100 watts

#### Die Cast Guard:

Supplied with one piece die cast guard with set screw

#### Maximum Watts:

100 watts

#### Patents:

RAB sensor and fixture designs are protected under U.S. and International Intellectual Property laws.

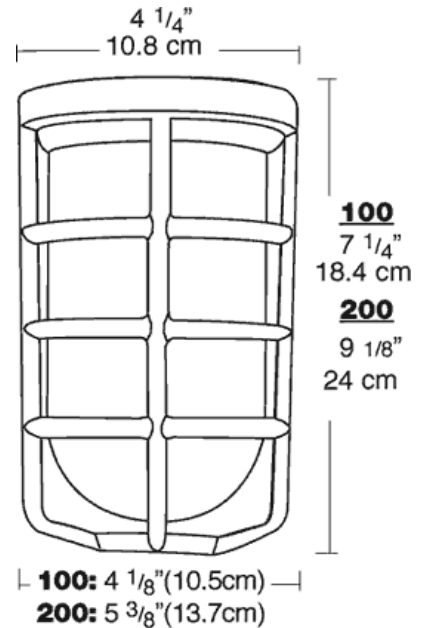
#### Color:

Natural

#### Weight:

2.39

### DIMENSIONS



### ORDERING INFORMATION

Total Watts	Lamp Type	Lamp Base	Ballast	Starting Amps/ Operating Amps				Input Watts	LAMP ANSI	Initial Lumens	Lamp Hours
				120V	208V	240V	277V				
100	A19	Medium	0	0	0	0	0	0	0	0	

**Factory Installed Options**  
 Add suffix to Catalog Number

Note: Specifications may change without notice

**RAB Lighting, Inc.** • 170 Ludlow Ave • Northvale, NJ 07647 • Tel: 888 RAB-1000 • Fax: 888 RAB-1232 • www.rabweb.com  
 © 2010 RAB Lighting, Inc.