

VAN6F26W/PC

JOB NAME: _____

DATE: _____

TYPE: _____

DESCRIPTION

Versatile wall and ceiling fixture in 13 and 26 watt fluorescent. Housing is die cast aluminum bronze finish with clear vandalproof polycarbonate refractor. Photocontrol & sensor models available. Lamp supplied.

SPECIFICATIONS

HID Quartz restrike:

Add suffix "/QR" to Van3 (50w restrike) or Van5 (100w restrike) for HOT restrike. Provides immediate illumination in case of momentary power failure

Housings:

Die cast aluminum with powder coat bronze or white finish

Reflectors / Backplate:

Heavy gauge cold rolled steel with high reflectance baked white enamel

Refractor:

Injection molded polycarbonate, designed for maximum structural strength

Screws:

Tamperproof center pin Torx-head and slotted Phillips head stainless steel screws provided. Be sure to order your Torx screwdriver (Catalog # VANDRIVER)

Sockets:

HPS: Medium base 4kv Pulse Rated Glazed porcelain CFL: Plug-in type, thermoplastic

UL Listing:

Suitable for wet locations. Fixtures can be wired with 90° C supply wiring if supply wires are routed 3" away from ballast.

Ballast Minimum Starting Temperature:

32

Patents:

RAB sensor and fixture designs are protected under U.S. and International Intellectual Property laws

Photocontrol:

Button Photocontrol installed and wired for 120V

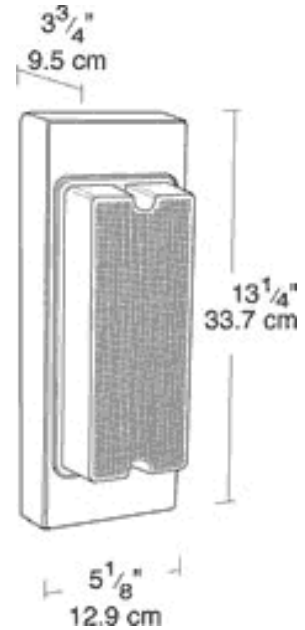
Color:

White

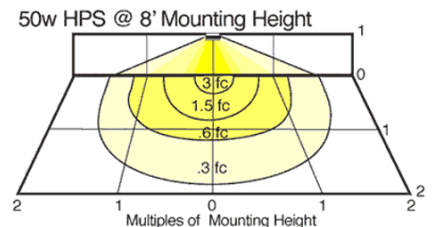
Weight:

5.1

DIMENSIONS



PHOTOMETRIC



Mounting Height	Multiplier
8'	1.0
9'	.8
10'	.7
12'	.4
14'	.3

Watts	Multiplier	HPS	CFL
35	.6		
50	1.0		
13	.2		
26	.4		

ORDERING INFORMATION

Compact Fluorescent
Lamp supplied with fixture

Total Watts	Lamp Type	Lamp Base	Ballast
26	2-13w Twin	GX23	NPF 120V

Starting Amps/ Operating Amps
120V 208V 240V 277V

.3/.3

Input Watts LAMP ANSI Initial Lumens Lamp Hours

32 1800 10000

Factory Installed Options
Add suffix to Catalog Number

Swivel Photocontrol (/PCS)
Quartz Restrike (HPS & MH only) (/QR)

Mini Motion Sensor (/MS)
Button Photocontrol (/PC)

Note: Specifications may change without notice