

VAN6F13/277

JOB NAME: _____

DATE: _____

TYPE: _____

DESCRIPTION

Versatile wall and ceiling fixture in 13 and 26 watt fluorescent. Housing is die cast aluminum bronze finish with clear vandalproof polycarbonate refractor. Photocontrol & sensor models available. Lamp supplied.

SPECIFICATIONS

HID Quartz restrike:

Add suffix "/QR" to Van3 (50w restrike) or Van5 (100w restrike) for HOT restrike. Provides immediate illumination in case of momentary power failure

Housings:

Die cast aluminum with powder coat bronze or white finish

Reflectors / Backplate:

Heavy gauge cold rolled steel with high reflectance baked white enamel

Refractor:

Injection molded polycarbonate, designed for maximum structural strength

Screws:

Tamperproof center pin Torx-head and slotted Phillips head stainless steel screws provided. Be sure to order your Torx screwdriver (Catalog # VANDRIVER)

Sockets:

HPS: Medium base 4kv Pulse Rated Glazed porcelain CFL: Plug-in type, thermoplastic

UL Listing:

Suitable for wet locations. Fixtures can be wired with 90° C supply wiring if supply wires are routed 3" away from ballast.

Ballast Minimum Starting Temperature:

32

Ballast Volts:

277 Volt

F13:

Compact Fluorescent 13W

Patents:

RAB sensor and fixture designs are protected under U.S. and International Intellectual Property laws.

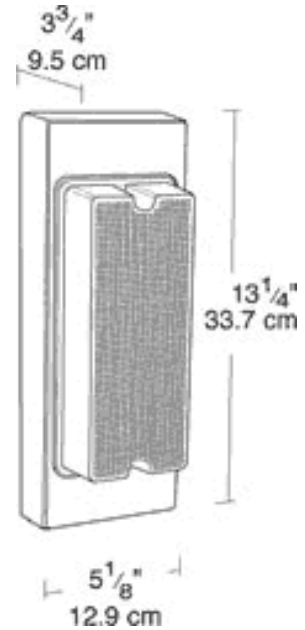
Color:

Bronze

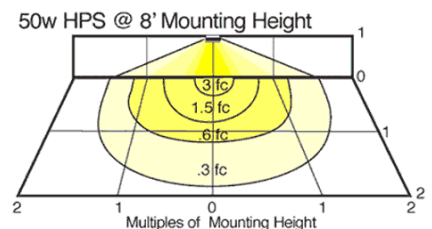
Weight:

5.1

DIMENSIONS



PHOTOMETRIC



Mounting Height	Multiplier	Multiplier		
		Watts	HPS	CFL
8'	1.0	35	.6	
9'	.8	50	1.0	
10'	.7	13		.2
12'	.4	26		.4
14'	.3			

ORDERING INFORMATION

Compact Fluorescent
Lamp supplied with fixture

Total Watts	Lamp Type	Lamp Base	Ballast
13	13W	GX23	NPF 277V
	Quad		

Starting Amps/ Operating Amps			
120V	208V	240V	277V
			0.4

Input Watts	LAMP ANSI	Initial Lumens	Lamp Hours
19		900	10000

Factory Installed Options
Add suffix to Catalog Number

Swivel Photocontrol (/PCS)
Quartz Restrike (HPS & MH only) (/QR)

Mini Motion Sensor (/MS)
Button Photocontrol (/PC)

Note: Specifications may change without notice