



# VAN6F13W/PC

JOB NAME: \_\_\_\_\_

DATE: \_\_\_\_\_

TYPE: \_\_\_\_\_

## DESCRIPTION

Versatile wall and ceiling fixture in 13 and 26 watt fluorescent. Housing is die cast aluminum bronze finish with clear vandalproof polycarbonate refractor. Photocontrol & sensor models available. Lamp supplied.

## SPECIFICATIONS

### HID Quartz restrike:

Add suffix "/QR" to Van3 (50w restrike) or Van5 (100w restrike) for HOT restrike. Provides immediate illumination in case of momentary power failure

### Housings:

Die cast aluminum with powder coat bronze or white finish

### Reflectors / Backplate:

Heavy gauge cold rolled steel with high reflectance baked white enamel

### Refractor:

Injection molded polycarbonate, designed for maximum structural strength

### Screws:

Tamperproof center pin Torx-head and slotted Phillips head stainless steel screws provided. Be sure to order your Torx screwdriver (Catalog # VANDRIVER)

**Ballast Minimum Starting Temperature:**  
32

### Sockets:

HPS: Medium base 4kv Pulse Rated Glazed porcelain CFL: Plug-in type, thermoplastic

### UL Listing:

Suitable for wet locations. Fixtures can be wired with 90° C supply wiring if supply wires are routed 3" away from ballast.

### F13:

Compact Fluorescent 13W

### Patents:

RAB sensor and fixture designs are protected under U.S. and International Intellectual Property laws.

### Photocontrol:

Button Photocontrol installed and wired for 120V

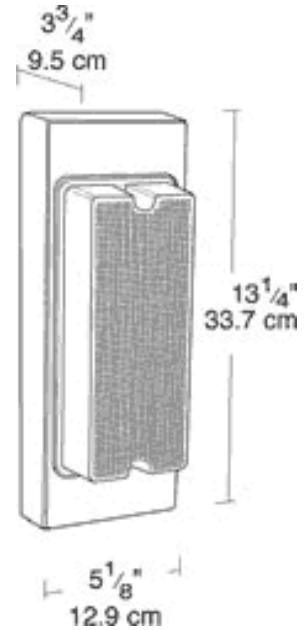
### Color:

White

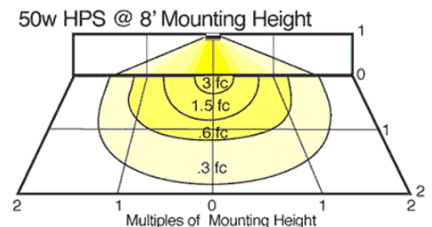
### Weight:

4.6

## DIMENSIONS



## PHOTOMETRIC



Mounting Height	Multiplier	Multiplier		
		Watts	HPS	CFL
8'	1.0	35	.6	
9'	.8	50	1.0	
10'	.7	13		.2
12'	.4	26		.4
14'	.3			

## ORDERING INFORMATION

Compact Fluorescent Lamp supplied with fixture	Total Watts	Lamp Type	Lamp Base	Ballast	Starting Amps/ Operating Amps				Input Watts	LAMP ANSI	Initial Lumens	Lamp Hours
					120V	208V	240V	277V				
	13	13W Twin	GX23	NPF 120V	.4/.3				16		900	10000
<b>Factory Installed Options</b> Add suffix to Catalog Number				Swivel Photocontrol (/PCS) Quartz Restrike (HPS & MH only) (/QR)								
											Mini Motion Sensor (/MS) Button Photocontrol (/PC)	

Note: Specifications may change without notice