

VAN6F13W

JOB NAME: _____

DATE: _____

TYPE: _____

DESCRIPTION

Versatile wall and ceiling fixture in 13 and 26 watt fluorescent. Housing is die cast aluminum bronze finish with clear vandalproof polycarbonate refractor. Photocontrol & sensor models available. Lamp supplied.

SPECIFICATIONS

HID Quartz restrike:

Add suffix "/QR" to Van3 (50w restrike) or Van5 (100w restrike) for HOT restrike. Provides immediate illumination in case of momentary power failure

Housings:

Die cast aluminum with powder coat bronze or white finish

Reflectors / Backplate:

Heavy gauge cold rolled steel with high reflectance baked white enamel

Refractor:

Injection molded polycarbonate, designed for maximum structural strength

Screws:

Tamperproof center pin Torx-head and slotted Phillips head stainless steel screws provided. Be sure to order your Torx screwdriver (Catalog # VANDRIVER)

Sockets:

HPS: Medium base 4kv Pulse Rated Glazed porcelain CFL: Plug-in type, thermoplastic

UL Listing:

Suitable for wet locations. Fixtures can be wired with 90° C supply wiring if supply wires are routed 3" away from ballast.

Ballast Minimum Starting Temperature:

32

F13:

Compact Fluorescent 13W

Patents:

RAB sensor and fixture designs are protected under U.S. and International Intellectual Property laws

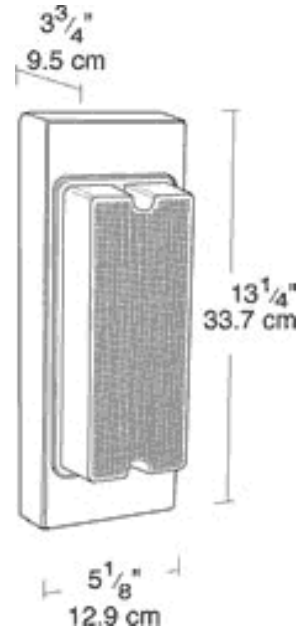
Color:

White

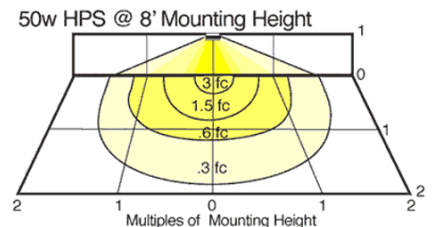
Weight:

4.6

DIMENSIONS



PHOTOMETRIC



| Mounting Height | Multiplier | Multiplier | | |
|-----------------|------------|------------|-----|-----|
| | | Watts | HPS | CFL |
| 8' | 1.0 | 35 | .6 | |
| 9' | .8 | 50 | 1.0 | |
| 10' | .7 | 13 | | .2 |
| 12' | .4 | 26 | | .4 |
| 14' | .3 | | | |

ORDERING INFORMATION

| Compact Fluorescent Lamp supplied with fixture | Total Watts | Lamp Type | Lamp Base | Ballast | Starting Amps/ Operating Amps | | | | Input Watts | LAMP ANSI | Initial Lumens | Lamp Hours |
|--|----------------|--------------|--------------|---|-------------------------------|------|------|------|----------------|--------------|---|---------------|
| | | | | | 120V | 208V | 240V | 277V | | | | |
| | 13 | 13W Twin | GX23 | NPF 120V | 0.3/0.4 | | | | 18 | | 860 | 10000 |
| Factory Installed Options Add suffix to Catalog Number | | | | Swivel Photocontrol (/PCS) Quartz Restrike (HPS & MH only) (/QR) | | | | | | | Mini Motion Sensor (/MS) Button Photocontrol (/PC) | |

Note: Specifications may change without notice