

VAN5SH100QT

JOB NAME: _____

DATE: _____

TYPE: _____

DESCRIPTION

Large size ceiling mount fixture: Increased wattage to 200W MH PS. Vertical lamp HID. Adjustable, 4-way glare guard & "No Bend" conduit entrance. Excellent heat control eliminates heat problems. Housing is die cast aluminum with clear vandalproof polycarbonate refractor. Lamps supplied.

SPECIFICATIONS

HID Quartz restrike:

Add suffix "/QR" to Van3 (50w restrike) or Van5 (100w restrike) for HOT restrike. Provides immediate illumination in case of momentary power failure

Housings:

Die cast aluminum with powder coat bronze or white finish

Reflectors / Backplate:

Heavy gauge cold rolled steel with high reflectance baked white enamel

Refractor:

Injection molded polycarbonate, designed for maximum structural strength

Screws:

Tamperproof center pin Torx-head and slotted Phillips head stainless steel screws provided. Be sure to order your Torx screwdriver (Catalog # VANDRIVER)

Sockets:

Medium base 4kv Pulse Rated Glazed porcelain

UL Listing:

Suitable for wet locations. Fixtures can be wired with 90° C supply wiring if supply wires are routed 3" away from ballast.

Patents:

The unique RAB VAN5 is protected by U.S. Patent D547,484; China Patent ZL200630133218.0; Taiwan Patent D121,295 and Canada Patent D115,523

Quad Tap:

Fixture works with 120, 208, 240 and 277 Volts

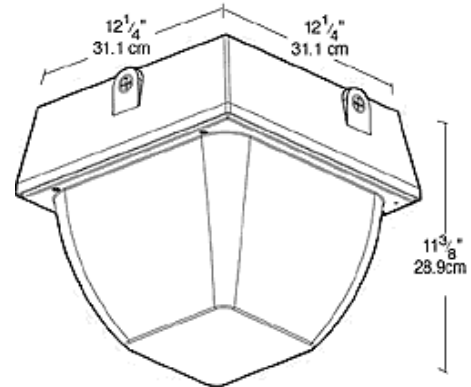
Color:

Bronze

Weight:

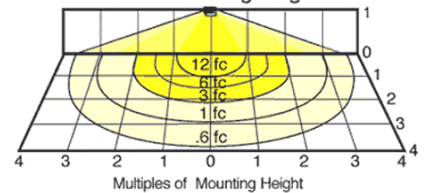
16

DIMENSIONS



PHOTOMETRIC

150w HPS @ 8' Mounting Height



Mounting Height	Multiplier	Watts	Multiplier	HPS	MH	CFL
8'	1.0	64				.3
9'	.8	84				.4
10'	.7	96				.5
12'	.4	100	.6			.6
14'	.3	150	1.0			.8
		175				.9

ORDERING INFORMATION

High Pressure Sodium
Lamp supplied with fixture

Total Watts	Lamp Type	Lamp Base	Ballast
100	ED17	Medium	HX-HPF QT

Starting Amps/ Operating Amps			
120V	208V	240V	277V
1.3/1.2	.8/.7	.7/.6	.6/.5

Input Watts	LAMP ANSI	Initial Lumens	Lamp Hours
130	S54	9500	24000

Factory Installed Options
Add suffix to Catalog Number

Swivel Photocontrol (/PCS)
Quartz Restrike (HPS & MH only) (/QR)

Mini Motion Sensor (/MS)
Button Photocontrol (/PC)

Note: Specifications may change without notice