



# VAN5F84QTW



JOB NAME: \_\_\_\_\_  
 DATE: \_\_\_\_\_  
 TYPE: \_\_\_\_\_

## DESCRIPTION

Large size ceiling mount fixture: Horizontal CFL lamps. "No Bend" conduit entrance. Housing is die cast aluminum with clear vandalproof polycarbonate refractor. Lamps supplied.

## SPECIFICATIONS

### HID Quartz restrike:

Add suffix "/QR" to Van3 (50w restrike) or Van5 (100w restrike) for HOT restrike. Provides immediate illumination in case of momentary power failure

### Housings:

Die cast aluminum with powder coat bronze or white finish

### Reflectors / Backplate:

Heavy gauge cold rolled steel with high reflectance baked white enamel

### Refractor:

Injection molded polycarbonate, designed for maximum structural strength

### Screws:

Tamperproof center pin Torx-head and slotted Phillips head stainless steel screws provided. Be sure to order your Torx screwdriver (Catalog # VANDRIVER)

### Sockets:

Medium base 4kv Pulse Rated Glazed porcelain

### UL Listing:

Suitable for wet locations. Fixtures can be wired with 90° C supply wiring if supply wires are routed 3" away from ballast.

### Ballast Minimum Starting Temperature:

0

### Patents:

The unique RAB VAN5 is protected by U.S. Patent D547,484; China Patent ZL200630133218.0; Taiwan Patent D121,295 and Canada Patent D115,523

### Quad Tap:

Fixture works with 120, 208, 240 and 277 Volts

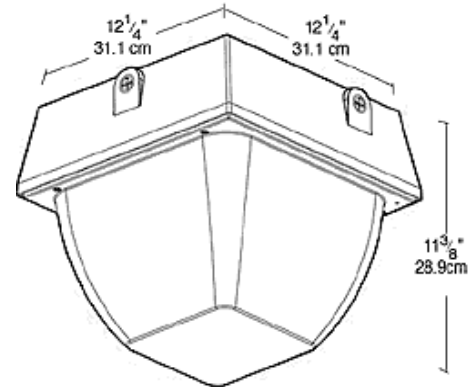
### Color:

White

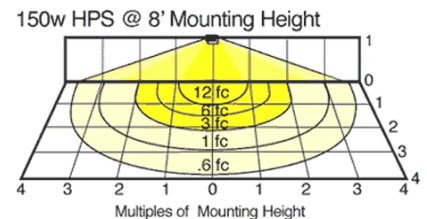
### Weight:

10

## DIMENSIONS



## PHOTOMETRIC



Mounting Height	Multiplier	Watts	Multiplier HPS	Multiplier MH	CFL
8'	1.0	64			.3
9'	.8	84			.4
10'	.7	96			.5
12'	.4	100	.6		.6
14'	.3	150	1.0		.8
		175			.9

## ORDERING INFORMATION

**Compact Fluorescent**  
Lamp supplied with fixture

Total Watts	Lamp Type	Lamp Base	Ballast
84	2-42W Triple	GX24q-4	Elec HPF QT

Starting Amps/ Operating Amps			
120V	208V	240V	277V
0.78	0.5	0.5	0.33

Input Watts	LAMP ANSI	Initial Lumens	Lamp Hours
93		6400	12000

**Factory Installed Options**  
Add suffix to Catalog Number

Swivel Photocontrol (/PCS)  
Quartz Restrike (HPS & MH only) (/QR)

Mini Motion Sensor (/MS)  
Button Photocontrol (/PC)

Note: Specifications may change without notice