



# VAN3F32QT



JOB NAME: \_\_\_\_\_  
 DATE: \_\_\_\_\_  
 TYPE: \_\_\_\_\_

## DESCRIPTION

Medium size ceiling mount fixture: 26, 32 and 42 watt compact fluorescent available. Housing is die cast aluminum with clear vandalproof polycarbonate refractor. Photocontrol, Sensor (CFL 120v only) models available. Lamps supplied.

## SPECIFICATIONS

### Conduit Entry:

1/2"

### HID Quartz restrike:

Add suffix "/QR" to Van3 (50w restrike) or Van5 (100w restrike) for HOT restrike. Provides immediate illumination in case of momentary power failure

### Housings:

Die cast aluminum with powder coat bronze or white finish

### Reflectors / Backplate:

Heavy gauge cold rolled steel with high reflectance baked white enamel

### Refractor:

Injection molded polycarbonate, designed for maximum structural strength

### Sockets:

Medium base 4kv Pulse Rated Glazed porcelain

### Ballast Minimum Starting Temperature:

-22

### Screws:

Tamperproof center pin Torx-head and slotted Phillips head stainless steel screws provided. Be sure to order your Torx screwdriver (Catalog # VANDRIVER)

### UL Listing:

Suitable for wet locations. Fixtures can be wired with 90° C supply wiring if supply wires are routed 3" away from ballast.

### Patents:

RAB sensor and fixture designs are protected under U.S. and International Intellectual Property laws

### Quad Tap:

Fixture works with 120, 208, 240 and 277 Volts

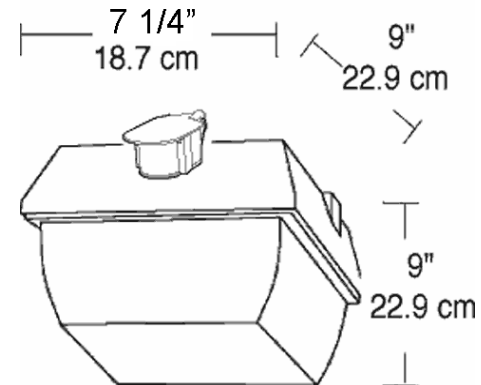
### Color:

Bronze

### Weight:

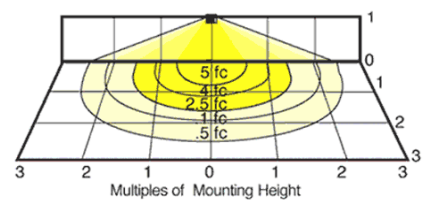
6.5

## DIMENSIONS



## PHOTOMETRIC

70w HPS @ 8' Mounting Height



Mounting Height	Multiplier	Multiplier		
		Watts	HPS	MH CFL
8'	1.0	26		.3
9'	.8	32		.4
10'	.7	42		.5
12'	.4	35	.4	
14'	.3	50	.6	.5
		70	1.0	.9

## ORDERING INFORMATION

**Compact Fluorescent**  
Lamp supplied with fixture

Total Watts	Lamp Type	Lamp Base	Ballast
32	32w	GX24q-3	Elec HPF QT Triple

Starting Amps/ Operating Amps			
120V	208V	240V	277V
0.31	0.2	0.2	0.13

Input Watts	LAMP ANSI	Initial Lumens	Lamp Hours
32		2400	12000

**Factory Installed Options**  
Add suffix to Catalog Number

Swivel Photocontrol (/PCS)  
Quartz Restrike (HPS & MH only) (/QR)

Mini Motion Sensor (/MS)  
Button Photocontrol (/PC)

Note: Specifications may change without notice