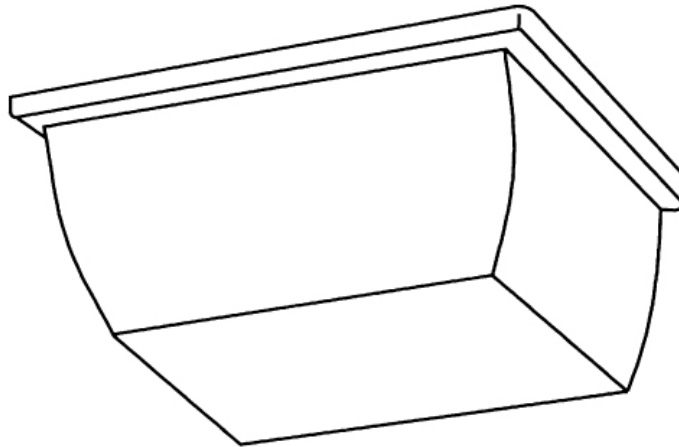


RAB

VAN2 VANDALPROOF FIXTURES

Installation Instructions



Thank you for buying RAB lighting fixtures. Our aim is to design the best quality products so you can get the job done right. We'd like to hear your comments. Call us at 888-RAB-1000, attention Marketing Department.

IMPORTANT

READ CAREFULLY BEFORE INSTALLING FIXTURE. RETAIN INSTRUCTIONS FOR FUTURE REFERENCE.

RAB Vandalproof fixtures must be wired in accordance with the National Electrical Code and applicable local codes. Proper grounding is required for safety.

Vandalproof fixtures are for indoor or outdoor use and should not be used in areas with limited ventilation or high ambient temperatures. Installation should be done by a qualified electrician.

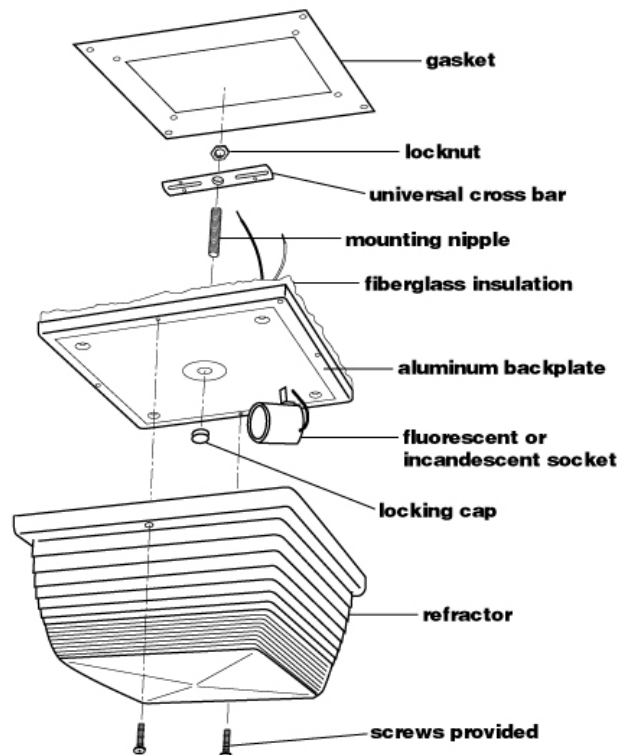
WARNING: Make certain power is OFF before installing or maintaining fixture.

LOCATION

Fixture can be wall or ceiling mounted.
Fixture should not be recessed.

MOUNTING

1. Remove refractor from backplate.
2. Attach universal crossbar to junction box with two screws provided.
3. Thread mounting nipple (provided) through center hole of backplate and into the crossbar. Secure with locking cap and locknut.
4. Place fiberglass insulation on backplate, followed by gasket.
5. Connect fixture leads to supply leads with wire nuts.
6. Install lamp and replace refractor.



(over)

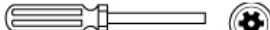
RAB

VAN2 INSTALLATION INSTRUCTIONS

(continued)

TAMPERPROOF SCREWS

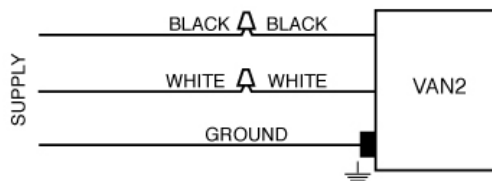
RAB Vandalproof fixtures are shipped with both standard Phillips head screws and tamperproof screws.

For maximum security, use tamperproof screw. Tighten with Center Pin Torx screwdriver (catalog #Vandriver). 

WIRING

Use supply wire rated for 90°C.

1. Connect the black fixture lead to the black supply lead.
2. Connect the white fixture lead to white supply lead.
3. Connect supply ground wire to fixture ground screw.



RE-LAMPING

Caution: Prior to installing, check that the lamp is of proper type and wattage. Observe lamp manufacturer's recommendations on lamp operation, ballast type and burning positions.

NOTE: Minimum starting temperature of fluorescent fixture is 25°F (-7°C).

Disconnect power. Make sure fixture and lamp are cool enough to touch.

1. Loosen screws holding refractor.
2. Remove refractor and install lamp.
3. Close refractor and re-install screws.

Wattage	Lamp* Type	Catalog #	Lamp Base
13	Quad	VAN2F13	GX23
18	Quad	VAN2F18	G23
26	Quad	VAN2F26	GX23
26	Quad	VAN2F26QT	G24q-3
32	Quad	VAN2F32QT	G24q-3
75	"A" incandescent	VAN2I	medium

*Lamp not supplied

NOTE: Minimum starting temperature of fluorescent fixture is 25°F (-7°C).

CLEANING

CAUTION: Be sure power is off. Be sure fixture temperature is cool enough to touch.

Clean Reflector and lens with a cloth moistened with non abrasive glass cleaning solution.

TROUBLESHOOTING CHECKLIST

Check that:

1. Proper lamp is installed. Lamp is not faulty.
2. Line voltage at the fixture is proper.
3. Fixture is wired properly.
4. Fixture is grounded properly.

EASY INSTALLATION & PRODUCT HELP

Fax Back
Faxed Tips & Specs,
24 hours/day.
888 RAB-1236

www.rabweb.com
Visit our internet site for
color product photos
and installation tips.

Tech Help Line
Call our friendly experts.
8AM - 5PM ET Mon. - Fri.
888 RAB-1000

e-mail
Your questions and requests
will be answered promptly.
sales@rabweb.com



THESE INSTRUCTIONS **DO NOT** COVER ALL DETAILS OR VARIATIONS IN EQUIPMENT, NOR DO THEY PROVIDE FOR EVERY POSSIBLE CONTINGENCY TO BE MET IN CONNECTION WITH INSTALLATION, OPERATION OR MAINTENANCE.