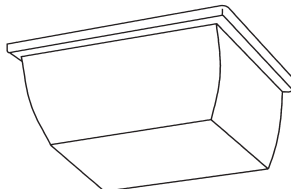


RAB

VAN1

Installation Instructions



Thank you for buying RAB lighting fixtures. Our aim is to design the best quality products so you can get the job done right. We'd like to hear your comments. Call the Marketing Department at 888-RAB-1000.

IMPORTANT

READ CAREFULLY BEFORE INSTALLING FIXTURE. RETAIN INSTRUCTIONS FOR FUTURE REFERENCE.

RAB Vandalproof fixtures must be wired in accordance with the National Electrical Code and applicable local codes. Proper grounding is required for safety.

Vandalproof fixtures are for indoor or outdoor use and should not be used in areas with limited ventilation or high ambient temperatures. Installation should be done by a qualified electrician.

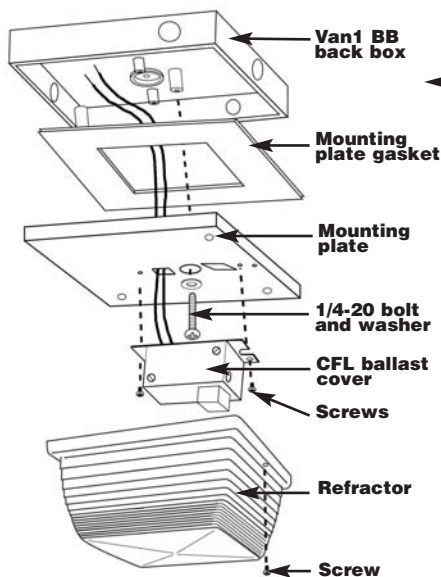
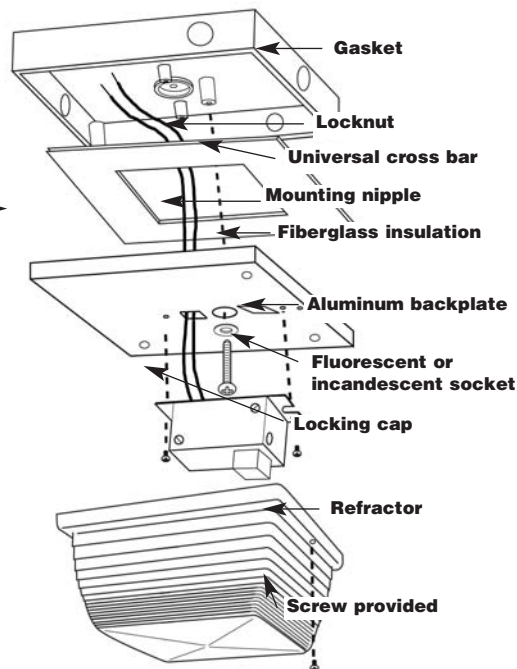
WARNING: Make certain power is OFF before installing or maintaining fixture.

LOCATION

Fixture can be wall or ceiling mounted. Wall mounted fixtures should not be exposed to rain. Fixture should not be recessed. Ceiling mounted fixtures should be on a covered ceiling.

INCANDESCENT MOUNTING

1. Remove refractor from backplate.
2. Thread mounting nipple through crossbar. Secure with locking nut.
3. Secure crossbar to junction box with two screws provided.
4. Feed supply lines through gasket and make the necessary wiring connections.
5. Align the backplate, the fiberglass pad and the gasket and push through onto mounting nipple. Secure with locking cap.
6. Install lamp and refractor.



MOUNTING ON THE OPTIONAL VAN1BB BACK BOX

(FLUORESCENT OR INCANDESCENT):

Before starting the assembly, attach conduit to the desired conduit entrance(s) in the back box.

1. Remove the refractor by removing refractor screw and pull the refractor out from the 2 notches on the opposite side.
2. Remove CFL ballast cover by removing it's retaining screws.
3. Attach the Van1 fixture to the back box as indicated in the drawing.
4. Reattach the CFL ballast cover and the refractor.

(over)


RAB

VAN1 INSTALLATION INSTRUCTIONS

(continued)

TAMPERPROOF SCREWS

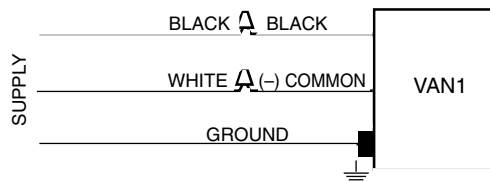
RAB Vandalproof fixtures are shipped with both standard Phillips head screws and tamperproof screws.

For maximum security, use tamperproof screw. Tighten with Center Pin Torx screwdriver (catalog #Vandriver). 

WIRING

Use supply wire rated for 90°C.

1. Connect the fixture lead to the black supply lead.
2. Connect the common fixture lead to white supply lead.
3. Connect supply ground wire to fixture ground screw.



RE-LAMPING

Caution: Prior to installing, check that the lamp is of proper type and wattage. Observe lamp manufacturer's recommendations on lamp operation, ballast type and burning positions.

Disconnect power. Make sure fixture and lamp are cool enough to touch.

1. Loosen screws holding refractor.
2. Remove refractor and install lamp.
3. Close refractor and re-install screws.

Catalog # Lamp and socket type (lamp not supplied)

VAN1F7	7 watt twin fluorescent, G23 base
VAN1F9	9 watt Quad, G23 base
VAN1F13	13 watt Quad, GX23 base
VAN1F14	2, 7 watt twin fluorescent, G23 base
VAN1I	75 watt incandescent, medium base

NOTE: Minimum starting temperature of fluorescent fixture is 25°F (-7°C).

CLEANING

CAUTION: Be sure power is off. Be sure fixture temperature is cool enough to touch.

Clean reflector and refractor with a cloth moistened with non abrasive glass cleaning solution.

TROUBLESHOOTING CHECKLIST

Check that:

1. Proper lamp is installed. Lamp is not faulty.
2. Line voltage at the fixture is proper.
3. Fixture is wired properly.
4. Fixture is grounded properly.

Easy Installation & Product Help

Fax Back

Faxed Tips & Specs,
24 hours/day.

888 RAB-1236

www.rabweb.com

Visit our internet site for color product photos and installation tips.

Tech Help Line

Call our friendly experts.
8AM - 5PM ET Mon. - Fri.

888 RAB-1000

e-mail

Your questions and requests will be answered promptly.
sales@rabweb.com

RAB
LIGHTING

170 Ludlow Avenue Northvale, New Jersey 07647 U.S.A.



THESE INSTRUCTIONS **DO NOT** COVER ALL DETAILS OR VARIATIONS IN EQUIPMENT, NOR DO THEY PROVIDE FOR EVERY POSSIBLE CONTINGENCY TO BE MET IN CONNECTION WITH INSTALLATION, OPERATION OR MAINTENANCE.