

VANGQL85

JOB NAME: _____

DATE: _____

TYPE: _____

DESCRIPTION

15" round die cast aluminum housing with vandalproof refractor for optimum parking garage light distribution. 150 or 175 w vertical mount Metal Halide or 100,000 hour Induction Lamp supplied.

SPECIFICATIONS

Fluorescent Ballast Starting Temperatures: Sockets:

Electronic QT: 0° F/ -18° C NPF 120V:
32° F / 0° C

HPS & MH: Medium base 4kv Pulse Rated
Glazed porcelain CFL: Plug-in type,
thermo plastic
UL Listing.

Housings:

Die cast aluminum with powder coat bronze or white finish

Suitable for wet locations. Fixtures can be wired with 90° C supply wiring if supply wires are routed 3" away from ballast.

Reflectors / Backplate:

Heavy gauge cold rolled steel with high reflectance baked white enamel

Patents:

RAB sensor and fixture designs are protected under U.S. and International Intellectual Property laws

Refractor:

Injection molded polycarbonate, designed for maximum structural strength

Screws:

Tamperproof center pin Torx-head and slotted Phillips head stainless steel screws provided. Be sure to order your Torx screwdriver (Catalog # VANDRIVER)

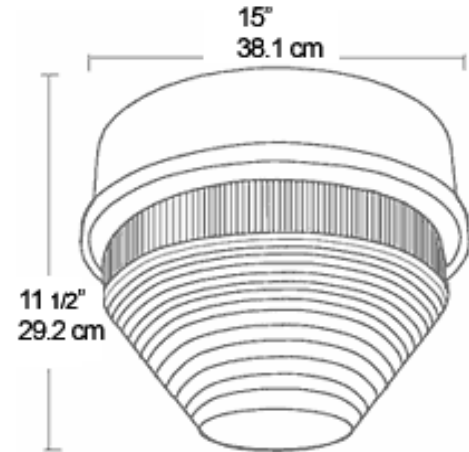
Color:

Bronze

Weight:

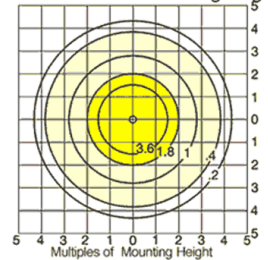
14.7

DIMENSIONS



PHOTOMETRIC

175w MH @ 10' Mounting Height



Mounting Height	Multiplier	Watts	Multiplier HPS	MH	IND
10'	1.0	175PS	1.3		
12'	.7	175	1.0		
14'	.5	150PS	1.0		
16'	.4	150	1.2	1.0	
20'	.25	100	.7	.7	
		70	.5	.4	
		85			.4
		55			.25

ORDERING INFORMATION

Induction Lamp supplied with fixture	Total Watts	Lamp Type	Lamp Base	Ballast	Starting Amps/ Operating Amps				Input Watts	LAMP ANSI	Initial Lumens	Lamp Hours
					120V	208V	240V	277V				
	85			Elec HPF 120v	0.7				96		6000	100000

Factory Installed Options
Add suffix to Catalog Number

Swivel Photocontrol (/PCS)
Quartz Restrike (HPS & MH only) (/QR)

Mini Motion Sensor (/MS)
Button Photocontrol (/PC)

Note: Specifications may change without notice