

# VANGF42QTW/E1

JOB NAME: \_\_\_\_\_

DATE: \_\_\_\_\_

TYPE: \_\_\_\_\_

## DESCRIPTION

### SPECIFICATIONS

**Backup Battery**

Bodine "Coldpak" operates CFL lamp for 90 minutes after power failure. Maintenance free NiCad battery lasts 7-10 years. Rated -18° C to +55° C

**Refractor:**

Injection molded polycarbonate, designed for maximum structural strength

**Ballast Minimum Starting Temperature:**

0° F

**UL Listing:**

Suitable for wet locations. Fixtures can be wired with 90° C supply wiring if supply wires are routed 3" away from ballast.

**E1:**

Wired for 120V

**Patents:**

Pat. D547,484

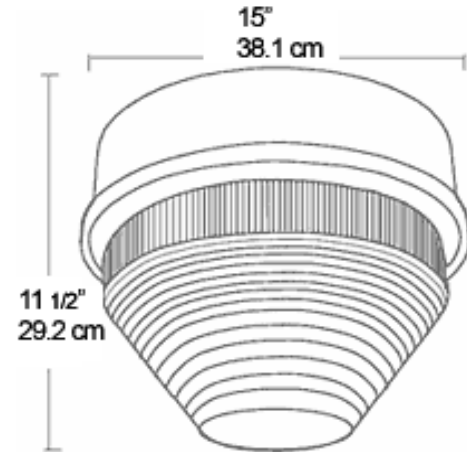
**Color:**

White

**Weight:**

16.18

### DIMENSIONS



## ORDERING INFORMATION

**Compact Fluorescent**  
Lamp supplied with fixture

Total Watts	Lamp Type	Lamp Base	Ballast	Starting Amps/ Operating Amps				Input Watts	LAMP ANSI	Initial Lumens	Lamp Hours
				120V	208V	240V	277V				
42	42W Triple	GX24q-4	Elec HPF QT	0.38	0.3	0.2	0.17	46	0	3200	12000

**Factory Installed Options**  
Add suffix to Catalog Number

Note: Specifications may change without notice