



WP2F84MSW



JOB NAME: _____
 DATE: _____
 TYPE: _____

DESCRIPTION

Sensor controlled mid size Wallpack for up 84 watts compact fluorescent @ 120v. Sensor has 180° detection. Sensor color matched to fixture. Minimum starting temperature 0° F. Lamps supplied.

SPECIFICATIONS

"No Hands" Auto Testing:

Auto mode starts after 4 minutes of testing. No adjustment needed.

Built for Severe Conditions:

Double weatherproofing for long life

LED Detection Indicator:

Glowes red day and night for "on-guard" deterrence.

Manual Override:

Double flip wall switch logic prevents activation by short power outages. Resets after 8 hours. No extra wiring needed.

Photocontrol:

Deactivates lights during daylight. Fully adjustable for 24 hour operation or custom applications. Please specify voltage.

Quick Test Time:

5 seconds test time for fast installation. Works day or night.

Sensor Case Construction:

Precision molded Lexan®

Surge Protection:

Withstands up to 3000 volts

UL Listing:

Suitable for wet locations.

Time Adjustment:

5 seconds to 15 minutes CFL lamps have longer life if Time Adjustment is set to < 7 minutes.

Vandal Resistant Lens:

Hard lens resists vandalism

Voltage:

120 volts AC 60 Hz.

Ballast Minimum Starting Temperature:

0

Detection:

180° detection

Patents:

RAB sensor and fixture designs are protected under U.S. and International Intellectual Property laws.

Switching Capacity:

Controls up to 250 watts Fluorescent @ 120 volts

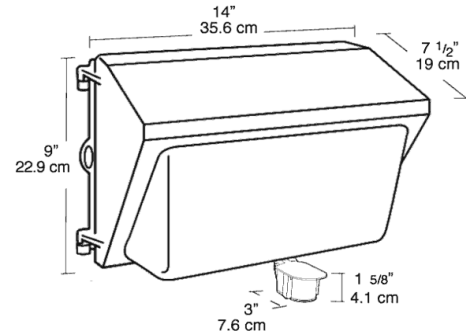
Color:

White

Weight:

0

DIMENSIONS



ORDERING INFORMATION

Compact Fluorescent Lamp supplied with fixture	Total Watts	Lamp Type	Lamp Base	Ballast	Starting Amps/ Operating Amps				Input Watts	LAMP ANSI	Initial Lumens	Lamp Hours
					120V	208V	240V	277V				
	84	2-42W Triple	GX24q-4	Electronic QT	0.78	0.5	0.5	0.33	93		6400	12000

Factory Installed Options
 Add suffix to Catalog Number

Note: Specifications may change without notice