

# RAB LIGHTING

## STL110R



JOB NAME: \_\_\_\_\_  
 DATE: \_\_\_\_\_  
 TYPE: \_\_\_\_\_

### DESCRIPTION

STEALTH Sensor with twin die cast R90 PAR-38 floods pre-wired and assembled on universal CU4 cover plate. Accepts PAR38 lamps, 150 watt max. Lamps not supplied.

### SPECIFICATIONS

**Advanced Detection Logic:**

Minimizes false triggers

**Color Matched Lens:**

Dark lens with bronze units, white lens with white units

**Floodlights:**

Precision die cast aluminum. 1/2" NPS threaded arm with serrated locking swivel fits all standard mounting boxes and covers

**Horizontal Lock, No-tool Joints:**

Keeps sensing pattern level for fast, error-free installation

**LED Detection Indicator:**

Shows when sensor is detecting in daytime and glows red at night for "on-guard" deterrence

**Photoelectric Control:**

Deactivates lights during daylight. Fully adjustable for 24 hour operation or custom applications

**Power Consumption:**

1 watt

**RF Immunity:**

Circuits fully shielded for maximum radio frequency immunity

**Surge Protection:**

Withstands up to 6000 volts

**Time Adjustment:**

5 seconds to 12 minutes

**Temperature Compensation:**

Sensitivity adjusts automatically for consistent detection in hot and cold ambient temperatures

**UL Listing:**

Suitable for wet locations

**Wall Switch Manual Override:**

Two flip logic prevents activation by momentary power outages. Override resets to auto at dawn. No extra wiring needed

**Wide Sensitivity Control:**

Adjustable from 100% to 30%

**Detection:**

110° view

**Patents:**

RAB sensor and fixture designs are protected under U.S. and International Intellectual Property laws.

**Switching Capacity:**

1000 watts incandescent @ 120 volts, 8 amps

**Voltage:**

120 Volts AC 60 Hertz

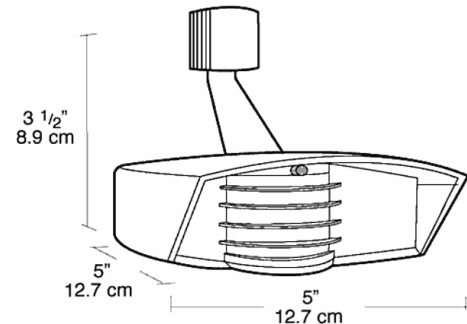
**Color:**

Bronze

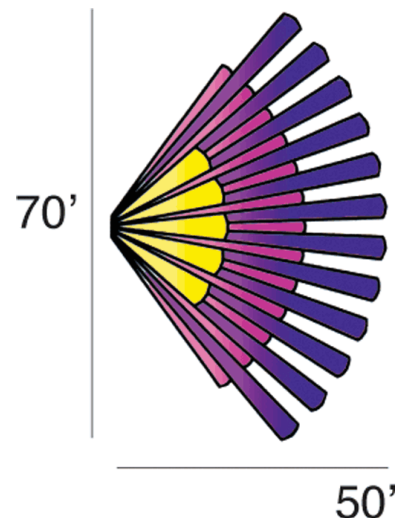
**Weight:**

2.56

### DIMENSIONS



### DETECTION PATTERN



Note: Specifications may change without notice