

RAB LIGHTING

SL500



JOB NAME: _____
 DATE: _____
 TYPE: _____

DESCRIPTION

Adapts lanterns to sensor operation. Controls 500 watts Incandescent or 250 watts Fluorescent. Adjusts to fit small or large size lanterns. Sensor moves 6" up or down to clear lanterns handle. Straight wall and clapboard plate provided. 180° sensor with tilt-down adjustment.

SPECIFICATIONS

"No Hands" Auto Testing:

Auto mode starts after 4 minutes of testing. No adjustment needed.

LED Detection Indicator:

LED glows red day & night for "on guard" deterrence.

Manual Override:

Double flip wall switch logic prevents activation by brief power outages. Resets after 8 hours. No extra wiring needed.

Photoelectric Control:

Deactivates lights during daylight. Fully adjustable for 24 hour operation or custom applications.

Quick Test Time:

5 second test time for fast installation. Works day or night.

RF Immunity:

Circuits fully shielded for maximum radio frequency immunity.

Surge Protection:

Withstands up to 3000 volts

Time Adjustment:

5 seconds to 15 minutes

UL Listing:

Suitable for wet locations.

Voltage:

120 volts AC 60 Hz.

Detection:

180° detection pattern with tilt-down adjustment

Patents:

RAB sensor and fixture designs are protected under U.S. and International Intellectual Property laws.

Relay On/Off Model:

500 watts Incandescent or 250 watts Fluorescent @ 120V

Switching Capacity:

Relay On/Off Model: Switches 240 watts when lights are mounted to sensor. 500 watts Incandescent or 240 watts Fluorescent of remotely mounted lighting @ 120 volts

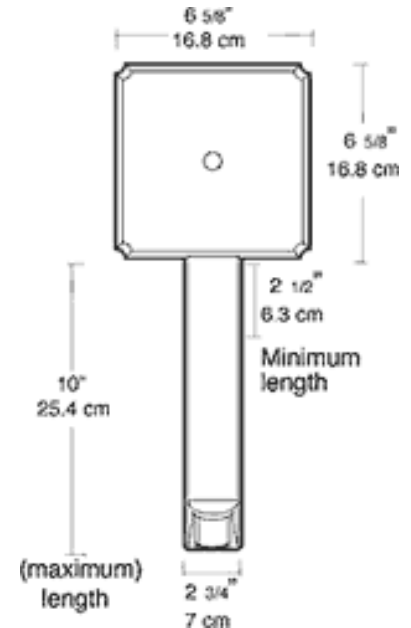
Color:

White

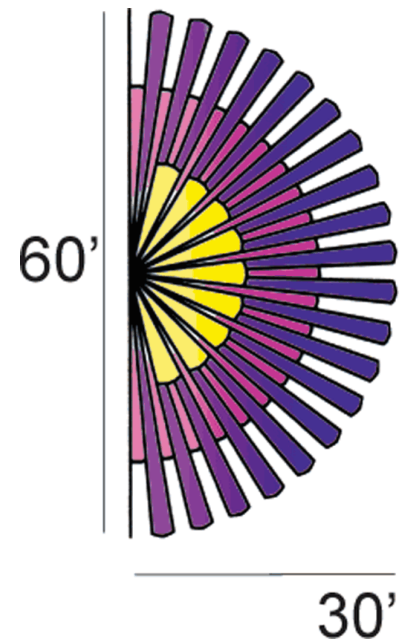
Weight:

0.98

DIMENSIONS



DETECTION PATTERN



Note: Specifications may change without notice

RAB Lighting, Inc. • 170 Ludlow Ave • Northvale, NJ 07647 • Tel: 888 RAB-1000 • Fax: 888 RAB-1232 • www.rabweb.com
 © 2009