

RAB LIGHTING

SB500W



JOB NAME: _____
DATE: _____
TYPE: _____

DESCRIPTION

Unobtrusive box mounted sensor controls 500 watts Incandescent or 250 watts Fluorescent outdoor lighting. Full 180° view with tilt-down adjustment. Integral oversize wallplate included. Fits single gang cast box like RAB's B3 series.

SPECIFICATIONS

"No Hands" Auto Testing:

Auto mode starts after 4 minutes of testing.
No adjustment needed.

LED Detection Indicator:

LED glows red day & night for "on guard" deterrence.

Manual Override:

Double flip wall switch logic prevents activation by brief power outages. Resets after 8 hours. No extra wiring needed.

Photoelectric Control:

Deactivates lights during daylight. Fully adjustable for 24 hour operation or custom applications.

Quick Test Time:

5 second test time for fast installation. Works day or night.

RF Immunity:

Circuits fully shielded for maximum radio frequency immunity.

Surge Protection:

Withstands up to 3000 volts

Time Adjustment:

5 seconds to 15 minutes

UL Listing:

Suitable for wet locations.

Voltage:

120 volts AC 60 Hz.

Adjustments:

Time, ambient light & sensitivity

Ambient Light Sensing:

Adjustable

Detection:

Full 180° view with tilt-down adjustment

Fluorescent Watts Switched:

250 watts @ 120 volts

Incandescent Watts Switched:

500 watts @ 120 volts

Manual Switch:

None

Patents:

RAB sensor and fixture designs are protected under U.S. and International Intellectual Property laws.

Power Consumption:

Negligible

Ratings:

5 amps

Switching Capacity:

Relay On/Off Model: Switches 240 watts when lights are mounted to sensor. 500 watts Incandescent or 240 watts Fluorescent of remotely mounted lighting @ 120 volts

Time Delay:

5 seconds to 15 minutes

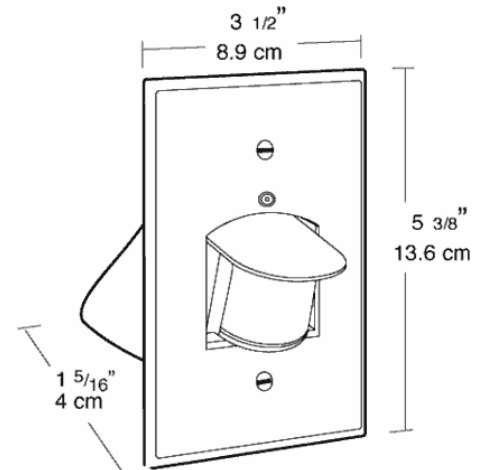
Color:

White

Weight:

0.72

DIMENSIONS



Note: Specifications may change without notice

RAB Lighting, Inc. • 170 Ludlow Ave • Northvale, NJ 07647 • Tel: 888 RAB-1000 • Fax: 888 RAB-1232 • www.rabweb.com
© 2009