



Fits decorator wall plates with only 1/2" protrusion. 120 volts. Gangable. Full 180° view covers 1000 sq. ft Works with electronic ballasts. Can be wired in parallel. LED indicator, wallplate included. Can also be used as a ceiling sensor. Must have hot and wires in box.

Color: Almond

Weight: 0.4 lbs

Project:	Type:
Prepared By:	Date:

Technical Specifications

Listings

UL Listed:

For indoor applications. Tuff Dome & Smart Box are UL Listed for wet locations.

Construction

Easy Installation:

Relay and sensor all in one reduces installation cost. Compatible with program start ballasts. Not compatible with instant start ballasts. LED testing and operation indicator.

Sensor Specifications

Maximum Versatility:

Adjustable time delay. Sensor detection pattern can be customized. No minimum load requirement. Can be wired in parallel.

Other

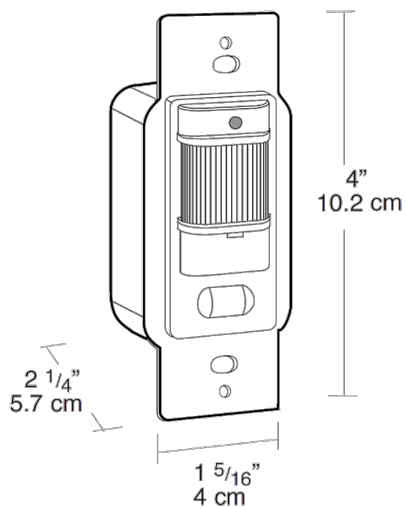
Patents:

RC sensor and fixture designs are protected under Canadian and International Intellectual Property laws

Buy American Act Compliance:

RAB values USA manufacturing! Upon request, RAB may be able to manufacture this product to be compliant with the Buy American Act (BAA). Please contact customer service to request a quote for the product to be made BAA compliant.

Dimensions



Features

- Full 180° view
- LED detection indicator
- Tough, vandal resistant lens
- Fits decorator wall plates
- Control panel cover only removable with wall plate to prevent tampering
- Manual off/auto switch
- Vandal proof sensor for schools, gyms and high abuse areas