

PLED2X20YW/UP

The PLED is a high performance LED uplight available in 52, 40, 26 and 20W versions in both Cool and Warm Color Temperatures. Pendant mount with hang-straight and 6", 12" and 18" stems included. Stems can be combined up to 36" max length.

Color: White

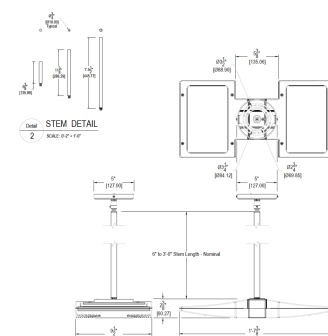
Weight: 12.7 lbs

LED Info

Watts: 40W
 Color Temp: 3000K (Warm)
 Color Accuracy: 71
 L70 Lifespan: 100000
 LM79 Lumens: 1904
 Efficacy: 44 LPW

Driver Info

Type: Constant Current
 120V: 0.4A
 208V: 0.25A
 240V: 0.2A
 277V: 0.16A
 Input Watts: 44W
 Efficiency: 92%



Technical Specifications

UL Listing:

Suitable for Wet Locations.

Lifespan:

100,000-hour LED lifespan based on IES LM-80 results and TM-21 calculations.

Mounting:

3 mounting stems included. 6", 12" and 18" can be combined to achieve a maximum length of 36". 42" of wire supplied. The pendants thread into a hang-straight, leveling the fixture. Pendant outside diameter is 1". Threads are 3/8". Circular canopy included.

Driver:

Automatic Voltage Sensing Driver for 120-277 volts.

THD:

6.88% at 120V

Thermal Management:

Cast aluminum Thermal Management system for optimal heat sinking. Designed for cool operation, most efficient output and maximum LED life by minimizing LED junction temperature.

Lumen Maintenance:

The LED will deliver 70% of its initial lumens at 100,000 hours of operation.

Housing:

Precision die cast aluminum housing and lens framing.

Finish:

Our environmentally friendly polyester powder coatings are formulated for high-durability and long-lasting color, and contains no VOC or toxic heavy metals.

Green Technology:

RAB LEDs are Mercury, Arsenic and UV free.

Patents:

The design of the PLED is protected by U.S. Patent D608,040, D615,689 and patents pending in Canada, China, Taiwan and Mexico.

Warranty:

RAB warrants that our LED products will be free from defects in materials and workmanship for a period of five (5) years from the date of delivery to the end user, including coverage of light output, color stability, driver performance and fixture finish.

Color Consistency:

3-step MacAdam Ellipse binning to achieve consistent fixture-to-fixture color.

Color Stability:

LED color temperature is warranted to shift no more than 200K in CCT over a 5 year period.

Color Uniformity:

RAB's range of CCT (Correlated color temperature) follows the guidelines of the American National Standard for Specifications for the Chromaticity of Solid State Lighting (SSL) Products, ANSI C78.377-2008.

Cold Weather Starting:

The minimum starting temperature is -40°F/-40°C.

Ambient Temperature:

Suitable for use in 40°C (104°F) ambient temperatures.

Total Harmonic Distortion:

THD = 6.9%.



PLED2X20YW/UP - continued

Fixture Efficacy:

44 Lumens per Watt

Color Accuracy:

71 CRI

Color Temperature (Nominal CCT):

3000K

IESNA LM-79 & IESNA LM-80 Testing:

RAB LED luminaires have been tested by an independent laboratory in accordance with IESNA LM-79 and 80.

Equivalency:

The PLED2X20 is Equivalent in delivered lumens to a 100W Metal Halide Pendant.

HID Replacement Range:

The PLED2X20 can be used to replace 100-150W Metal Halide Pendants based on delivered lumens.

Country of Origin:

Designed by RAB in New Jersey and assembled in the USA by RAB's IBEW Local 3 workers.

Buy American Act Compliant:

This product is a COTS item manufactured in the United States, and is compliant with the Buy American Act.

Recovery Act (ARRA) Compliant:

This product complies with the 52.225-21 "Required Use of American Iron, Steel, and Manufactured Goods-- Buy American Act-- Construction Materials (October 2010).

Trade Agreements Act Compliant:

This product is a COTS item manufactured in the United States, and is compliant with the Trade Agreements Act.

GSA Schedule:

Suitable in accordance with FAR Subpart 25.4.

