

# PLED2X20W/UP

The PLED is a high performance LED uplight available in 52, 40, 26 and 20W versions in both Cool and Warm Color Temperatures. Pendant mount with hang-straight and 6", 12" and 18" stems included. Stems can be combined up to 36" max length.

Color: White

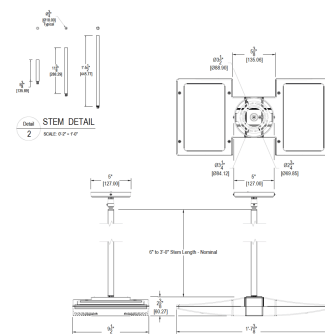
Weight: 12.7 lbs

## LED Info

Watts: 40W  
 Color Temp: 5000K (Cool)  
 Color Accuracy: 69  
 L70 Lifespan: 100000  
 LM79 Lumens: 2764  
 Efficacy: 65 LPW

## Driver Info

Type: Constant Current  
 120V: 0.4A  
 208V: 0.25A  
 240V: 0.2A  
 277V: 0.16A  
 Input Watts: 43W  
 Efficiency: 94%



## Technical Specifications

### UL Listing:

Suitable for Wet Locations.

### Lifespan:

100,000-hour LED lifespan based on IES LM-80 results and TM-21 calculations.

### Mounting:

3 mounting stems included. 6", 12" and 18" can be combined to achieve a maximum length of 36". 42" of wire supplied. The pendants thread into a hang-straight, leveling the fixture. Pendant outside diameter is 1". Threads are 3/8". Circular canopy included.

### Driver:

Automatic Voltage Sensing Driver for 120-277 volts.

### THD:

6.5% at 120V

### Thermal Management:

Cast aluminum Thermal Management system for optimal heat sinking. Designed for cool operation, most efficient output and maximum LED life by minimizing LED junction temperature.

### Lumen Maintenance:

The LED will deliver 70% of its initial lumens at 100,000 hours of operation.

### Housing:

Precision die cast aluminum housing and lens framing.

### Finish:

Our environmentally friendly polyester powder coatings are formulated for high-durability and long-lasting color, and contains no VOC or toxic heavy metals.

## Green Technology:

RAB LEDs are Mercury, Arsenic and UV free.

## Patents:

The design of the PLED is protected by U.S. Patent D608,040, D615,689 and patents pending in Canada, China, Taiwan and Mexico.

## Warranty:

RAB warrants that our LED products will be free from defects in materials and workmanship for a period of five (5) years from the date of delivery to the end user, including coverage of light output, color stability, driver performance and fixture finish.

## Color Consistency:

7-step MacAdam Ellipse binning to achieve consistent fixture-to-fixture color.

## Color Stability:

LED color temperature is warranted to shift no more than 200K in CCT over a 5 year period.

## Color Uniformity:

RAB's range of CCT (Correlated color temperature) follows the guidelines of the American National Standard for Specifications for the Chromaticity of Solid State Lighting (SSL) Products, ANSI C78.377-2008.

## Cold Weather Starting:

The minimum starting temperature is -40°F/-40°C.

## Ambient Temperature:

Suitable for use in 40°C (104°F) ambient temperatures.

## Total Harmonic Distortion:

THD = 7.7%



PLED2X20W/UP - continued

**Fixture Efficacy:**

64 Lumens per Watt

**Color Accuracy:**

69 CRI

**Color Temperature (Nominal CCT):**

5000K

**IESNA LM-79 & IESNA LM-80 Testing:**

RAB LED luminaires have been tested by an independent laboratory in accordance with IESNA LM-79 and 80.

**Equivalency:**

The PLED2X20 is Equivalent in delivered lumens to a 100W Metal Halide Pendant.

**HID Replacement Range:**

The PLED2X20 can be used to replace 100-150W Metal Halide Pendants based on delivered lumens.

**Country of Origin:**

Designed by RAB in New Jersey and assembled in the USA by RAB's IBEW Local 3 workers.

**Buy American Act Compliant:**

This product is a COTS item manufactured in the United States, and is compliant with the Buy American Act.

**Recovery Act (ARRA) Compliant:**

This product complies with the 52.225-21 "Required Use of American Iron, Steel, and Manufactured Goods-- Buy American Act-- Construction Materials (October 2010).

**Trade Agreements Act Compliant:**

This product is a COTS item manufactured in the United States, and is compliant with the Trade Agreements Act.

**GSA Schedule:**

Suitable in accordance with FAR Subpart 25.4.

