

# PLED2X18NW/UP

The PLED is a high performance LED uplight available in 52, 40, 26 and 20W versions in both Cool and Warm Color Temperatures. Pendant mount with hang-straight and 6", 12" and 18" stems included. Stems can be combined up to 36" max length.

Color: White

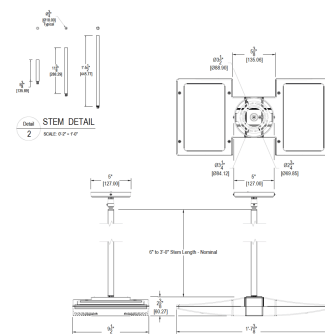
Weight: 10.1 lbs

## LED Info

Watts: 36W  
 Color Temp: 4000K (Neutral)  
 Color Accuracy: 82  
 L70 Lifespan: 100000  
 LM79 Lumens: 3561  
 Efficacy: 89 LPW

## Driver Info

Type: Constant Current  
 120V: 0.48A  
 208V: 0.36A  
 240V: 0.30A  
 277V: 0.24A  
 Input Watts: 40W  
 Efficiency: 90%



## Technical Specifications

### UL Listing:

Suitable for Wet Locations.

### Lifespan:

100,000-hour LED lifespan based on IES LM-80 results and TM-21 calculations.

### Driver:

(2) Constant Current, Class 2, 100-277V, 50/60 Hz, 4 kV surge protection, 500mA, 100-240VAC 0.3-0.15A, 277VAC 0.15A, Power Factor 99.2%

### THD:

10.2% at 120V

### Thermal Management:

Cast aluminum Thermal Management system for optimal heat sinking. Designed for cool operation, most efficient output and maximum LED life by minimizing LED junction temperature.

### Housing:

Precision die cast aluminum housing and lens framing.

### Mounting:

3 mounting stems included. 6", 12" and 18" can be combined to achieve a maximum length of 36". 42" of wire supplied. The pendants thread into a hang-straight, leveling the fixture. Pendant outside diameter is 1". Threads are 3/8". Circular canopy included.

### Color Consistency:

3-step MacAdam Ellipse binning to achieve consistent fixture-to-fixture color.

### Color Stability:

LED color temperature is warranted to shift no more than 200K in CCT over a 5 year period.

### Color Uniformity:

RAB's range of CCT (Correlated color temperature) follows the guidelines of the American National Standard for Specifications for the Chromaticity of Solid State Lighting (SSL) Products, ANSI C78.377-2008.

### Cold Weather Starting:

The minimum starting temperature is -40°F/-40°C.

### Ambient Temperature:

Suitable for use in 40°C (104°F) ambient temperatures.

### Finish:

Our environmentally friendly polyester powder coatings are formulated for high-durability and long-lasting color, and contains no VOC or toxic heavy metals.

### Green Technology:

RAB LEDs are Mercury, Arsenic and UV free.

### IESNA LM-79 & IESNA LM-80 Testing:

RAB LED luminaires have been tested by an independent laboratory in accordance with IESNA LM-79 and 80.

### Patents:

The design of the PLED is protected by U.S. Patent D608,040, D615,689 and patents pending in Canada, China, Taiwan and Mexico.

### Warranty:

RAB warrants that our LED products will be free from defects in materials and workmanship for a period of five (5) years from the date of delivery to the end user, including coverage of light output, color stability, driver performance and fixture finish.



PLED2X18NW/UP - continued

**Country of Origin:**

Designed by RAB in New Jersey and assembled in the USA by RAB's IBEW Local 3 workers.

**Buy American Act Compliant:**

This product is a COTS item manufactured in the United States, and is compliant with the Buy American Act.

**Recovery Act (ARRA) Compliant:**

This product complies with the 52.225-21 "Required Use of American Iron, Steel, and Manufactured Goods-- Buy American Act-- Construction Materials (October 2010).

**Trade Agreements Act Compliant:**

This product is a COTS item manufactured in the United States, and is compliant with the Trade Agreements Act.

**GSA Schedule:**

Suitable in accordance with FAR Subpart 25.4.

