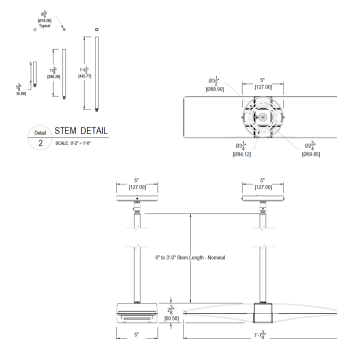


PLED2X13W

The PLED is a high performance LED downlight available in 52, 40, 26 and 20W versions in both Cool and Warm Color Temperatures. Pendant mount with hang-straight and 6", 12" and 18" stems included. Stems can be combined up to 36" max length.

Color: White

Weight: 7.1 lbs



LED Info

Watts: 26W
 Color Temp: 5000K (Cool)
 Color Accuracy: 69
 L70 Lifespan: 100000
 LM79 Lumens: 2069
 Efficacy: 68 LPW

Driver Info

Type: Constant Current
 120V: 0.26A
 208V: 0.17A
 240V: 0.14A
 277V: 0.16A
 Input Watts: 30W
 Efficiency: 86%

Technical Specifications

UL Listing:

Suitable for Wet Locations.

Lifespan:

100,000-hour LED lifespan based on IES LM-80 results and TM-21 calculations.

Mounting:

3 mounting stems included. 6", 12" and 18" can be combined to achieve a maximum length of 36". 42" of wire supplied. The pendants thread into a hang-straight, leveling the fixture. Pendant outside diameter is 1". Threads are 3/8". Circular canopy included.

Driver:

Multi-chip 2x13W high output long life LED Driver Constant Current, Class 2 100V - 277V, 50/60 Hz.

Thermal Management:

Cast aluminum Thermal Management system for optimal heat sinking. Designed for cool operation, most efficient output and maximum LED life by minimizing LED junction temperature.

Lumen Maintenance:

The LED will deliver 70% of its initial lumens at 100,000 hours of operation.

Housing:

Precision die cast aluminum housing and lens framing.

Finish:

Our environmentally friendly polyester powder coatings are formulated for high-durability and long-lasting color, and contains no VOC or toxic heavy metals.

Green Technology:

RAB LEDs are Mercury and UV free.

Patents:

The design of the PLED is protected by U.S. Pat. D608,040, D615,689 and patents pending in Canada, China and Taiwan.

Warranty:

RAB warrants that our LED products will be free from defects in materials and workmanship for a period of five (5) years from the date of delivery to the end user, including coverage of light output, color stability, driver performance and fixture finish.

Color Consistency:

7-step MacAdam Ellipse binning to achieve consistent fixture-to-fixture color.

Color Stability:

LED color temperature is warranted to shift no more than 200K in CCT over a 5 year period.

Color Uniformity:

RAB's range of CCT (Correlated color temperature) follows the guidelines of the American National Standard for Specifications for the Chromaticity of Solid State Lighting (SSL) Products, ANSI C78.377-2008.

Cold Weather Starting:

The minimum starting temperature is -40°F/-40°C.

Ambient Temperature:

Suitable for use in 40°C (104°F) ambient temperatures.

Surge Protection:

4KV

Fixture Efficacy:

68 Lumens per Watt



PLED2X13W - continued

Color Temperature (Nominal CCT):

5000K

Color Accuracy:

69 CRI

IESNA LM-79 & IESNA LM-80 Testing:

RAB LED luminaires have been tested by an independent laboratory in accordance with IESNA LM-79 and 80, and have received the Department of Energy "Lighting Facts" label.

Equivalency:

The PLED2X13 is Equivalent in delivered lumens to a 42W CFL or 70W Metal Halide Pendant.

HID Replacement Range:

The PLED2X13 can be used to replace 70-100W Metal Halide Pendants based on delivered lumens.

:
.

Country of Origin:

Designed by RAB in New Jersey and assembled in the USA by RAB's IBEW Local 3 workers.

Buy American Act Compliant:

This product is a COTS item manufactured in the United States, and is compliant with the Buy American Act.

Recovery Act (ARRA) Compliant:

This product complies with the 52.225-21 "Required Use of American Iron, Steel, and Manufactured Goods-- Buy American Act-- Construction Materials (October 2010).

Trade Agreements Act Compliant:

This product is a COTS item manufactured in the United States, and is compliant with the Trade Agreements Act.

GSA Schedule:

Suitable in accordance with FAR Subpart 25.4.

