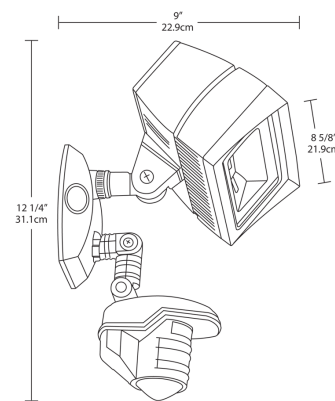


# STL3FFLED18W

Provides motion detection in both a 180° outward pattern as well as underneath with a full 360°. Also features an evening timer mode, which turns the light on for a preset amount of time after sunset. Comes with a full 10 year warranty.

Color: White

Weight: 6.5 lbs



## LED Info

Watts: 18W  
 Color Temp: 5000K (Cool)  
 Color Accuracy: 69  
 L70 Lifespan: 100000  
 LM79 Lumens: 1681  
 Efficacy: 76 LPW

## Driver Info

Type: Constant Current  
 120V: 0.2A  
 208V: N/A  
 240V: N/A  
 277V: N/A  
 Input Watts: 22W  
 Efficiency: 81%

## Technical Specifications

### UL Listing:

Suitable For Wet Locations.

### Lumen Maintenance:

100,000-hour LED lifespan based on IES LM-80 results and TM-21 calculations.

### NEMA Type:

7H x 6V Beam Spread.

### Airflow:

Patent pending Airflow technology heat sink for superior cooling.

### LEDs:

18 Watt high performance LEDs.

### Driver:

Constant Current, Class 2, 100 - 277V, 50 - 60 Hz, 100 - 277VAC 0.4 Amps.

### THD:

8.5% at 120V, 7.2% at 277V

### Surge Protection:

Withstands up to 6000 volts.

### Ambient Temperature:

Suitable for use in 40°C ambient temperatures.

### Cold Weather Starting:

The minimum starting temperature is -40°F/-40°C.

### Thermal Management Housing:

Die-cast aluminum housing, lens frame and mounting arm.

### Mounting:

Heavy-duty mounting arm with O ring seal & stainless steel screw. CU4 plate allows the sensor to be mounted under a soffit.

### Color Consistency:

7-step MacAdam Ellipse binning to achieve consistent fixture-to-fixture color.

### Color Stability:

LED color temperature is warrantied to shift no more than 200K in CCT over a 5 year period.

### Color Uniformity:

RAB's range of CCT (Correlated Color Temperature) follows the guidelines of the American National Standard for (SSL) Products, ANSI C78.377-2008.

### Reflector:

Semi-specular anodized aluminum.

### Gaskets:

High-temperature silicone gaskets.

### Finish:

Our environmentally friendly polyester powder coatings are formulated for high-durability and long-lasting color, and contains no VOC or toxic heavy metals.

### Green Technology:

Mercury and UV free.

### IESNA LM-79 & LM-80 Testing:

RAB LED luminaires have been tested by an independent laboratory in accordance with IESNA LM-79 and LM-80, and have received the Department of Energy Lighting Facts label.

STL3FFLED18W - continued

**California Title 24:**

FFLED18 complies with California Title 24 building and electrical codes.

**Voltage:**

120 volts AC 60 Hz.

**Power Consumption:**

1 watt.

**Time Adjustment:**

5 seconds to 12 minutes.

**Scanning LEDs:**

3 LEDs continually scan back-and-forth.

**Wide Sensitivity Control:**

Adjustable from 100% to 30%.

**Temperature Compensation:**

Sensitivity adjusted automatically for consistent detection in hot and cold ambient temperatures.

**Wall Switch Manual Override:**

Two flip logic prevents activation by momentary power outages. Override resets to auto at dawn. No extra wiring needed.

**Evening Timer:**

Keeps lights on for 1-8 hours after dusk. Then sensor is motion activated until dawn.

**Set it and forget it:**

STL360's full coverage pattern reduces need for aiming and adjustment.

**Advanced Detection Logic:**

Minimizes false triggers.

**Color Matched Lens:**

Dark lens with bronze units, white lens with white units.

**Sensor Lens Masks:**

Customized press apply lens mask included to reduce coverage easily.

**Sensor RF Immunity:**

Circuits fully shielded for maximum radio frequency immunity.

**Photoelectric Control:**

Deactivates lights during daylight. Fully adjustable for 24 hour operation or custom applications.

**Sensor Detection:**

Senses 180° out and 360° down for Total Detection.

**Sensor Switching Capacity:**

8 Amps, 750 Watts LED @120 Volts 0.8pF Driver; 8 Amps, 500 Watts LED @120 Volts 0.5pF Driver

**Patents:**

The FFLED18 design is protected by patents pending in the U.S., Canada, China, Taiwan and Mexico. RAB sensor designs are protected under U.S. and International Intellectual Property laws.

**Warranty:**

RAB warrants that our LED products will be free from defects in materials and workmanship for a period of five (5) years from the date of delivery to the end user, including coverage of light output, color stability, driver performance and fixture finish.

**Country of Origin:**

Designed by RAB in New Jersey and assembled in the USA by RAB's IBEW Local 3 workers.

**Buy American Act Compliant:**

This product is a COTS item manufactured in the United States, and is compliant with the Buy American Act.

**Recovery Act (ARRA) Compliant:**

This product complies with the 52.225-21 "Required Use of American Iron, Steel, and Manufactured Goods-- Buy American Act-- Construction Materials (October 2010).

**Trade Agreements Act Compliant:**

This product is a COTS item manufactured in the United States, and is compliant with the Trade Agreements Act.

**GSA Schedule:**

Suitable in accordance with FAR Subpart 25.4.

