

RAB LIGHTING TCB



JOB NAME: _____
DATE: _____
TYPE: _____

DESCRIPTION

The Turtle In-Use weatherproof cover protects in-use electrical devices in wet locations. Strong and durable enough to last in all weather conditions, year round. Clear cover with colored back plate.

SPECIFICATIONS

Materials:

Post: PVC Cap: ABS In-Use Cover: Clear
PVC MP Adapter: ABS Junction Box:
Polycarbonate

Set Screw:

Locks cap to post and prevents rotation

Patents:

Pat. D533,510

UL Listing:

Suitable for wet locations. Fixtures with
ground wire must be used

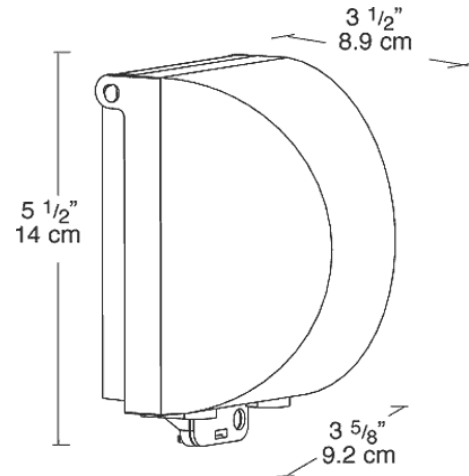
Color:

Black

Weight:

0.35

DIMENSIONS



Note: Specifications may change without notice

RAB Lighting, Inc. • 170 Ludlow Ave • Northvale, NJ 07647 • Tel: 888 RAB-1000 • Fax: 888 RAB-1232 • www.rabweb.com
© 2009