



# R90MW

JOB NAME: \_\_\_\_\_

DATE: \_\_\_\_\_

TYPE: \_\_\_\_\_

## DESCRIPTION

The economical R90 floodlight with a molded silicone external gasket to insure superior weatherproof seal. Epoxy powder coating. PAR38 150 watt max. Lamp not supplied.

## SPECIFICATIONS

### Housings:

Precision die cast aluminum. Tuffly flood is molded plastic

### Sockets:

Porcelain with all copper current carrying components and spring loaded center contact

### Swivels:

Fully adjustable with sure-grip locks. 1/2" NPS threaded arm with locking swivel fits all standard mounting covers.

### UL Listing:

Suitable for wet locations.

### Lamp:

Medium base PAR38 lamps up to 150 watts. lamp not supplied

### Patents:

RAB sensor and fixture designs are protected under U.S. and International Intellectual Property laws

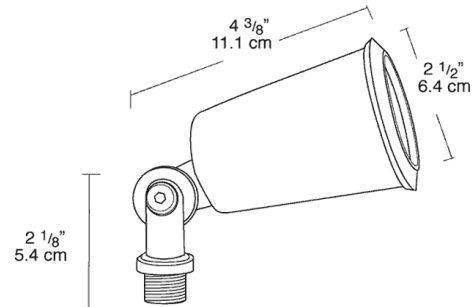
### Color:

White

### Weight:

0.4

## DIMENSIONS



## ORDERING INFORMATION

Total Watts	Lamp Type	Lamp Base	Ballast	Starting Amps/ Operating Amps				Input Watts	LAMP ANSI	Initial Lumens	Lamp Hours
				120V	208V	240V	277V				
150	0	Medium	0	0	0	0	0	0	1900	2000	

### Factory Installed Options

Add suffix to Catalog Number

Note: Specifications may change without notice

**RAB Lighting, Inc.** • 170 Ludlow Ave • Northvale, NJ 07647 • Tel: 888 RAB-1000 • Fax: 888 RAB-1232 • www.rabweb.com

© 2009