



PLF39



JOB NAME: _____
 DATE: _____
 TYPE: _____

DESCRIPTION

High quality polycarbonate PL floodlight. Supplied with one, two or three 13 watt twin tube compact fluorescent lamps. Adjustable swivel mounting arm with 1/2" thread. Lamps supplied.

SPECIFICATIONS

Housing and Lens:

Corrosionproof and vandal resistant polycarbonate

Lens Gasket:

High temperature tubular silicone

Reflector:

Anodized aluminum

Sockets:

GX23 base

UL Listing:

Suitable for wet locations. (PLF 13 &26) For side wall mounting only

Ballast Minimum Starting Temperature:

23

Lamp:

Three 13 watt compact fluorescent lamps supplied with fixture

Minimum Temperature:

0°F

Patents:

RAB sensor and fixture designs are protected under U.S. and International Intellectual Property laws.

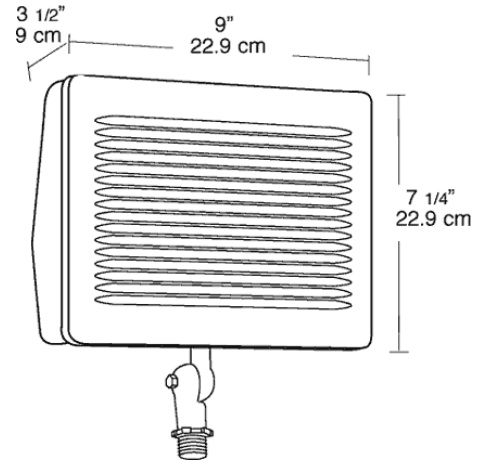
Color:

Bronze

Weight:

3.53

DIMENSIONS



ORDERING INFORMATION

Total Watts	Lamp Type	Lamp Base	Ballast	Starting Amps/ Operating Amps				Input Watts	LAMP ANSI	Initial Lumens	Lamp Hours
				120V	208V	240V	277V				
39	0	GX23	NPF 120V					0		2700	10000

Factory Installed Options

Add suffix to Catalog Number

Note: Specifications may change without notice

RAB Lighting, Inc. • 170 Ludlow Ave • Northvale, NJ 07647 • Tel: 888 RAB-1000 • Fax: 888 RAB-1232 • www.rabweb.com

© 2009