



# LL22B/F13



JOB NAME: \_\_\_\_\_  
 DATE: \_\_\_\_\_  
 TYPE: \_\_\_\_\_

## DESCRIPTION

Rugged die cast aluminum 6" diameter housings. Threaded, gasketed clear glass globe for durable weatherproofing and easy relamping. 1" long, 1/2" threaded nipple included for easy mounting. 100 watt max. Lamp not supplied.

## SPECIFICATIONS

### Globes:

Threaded, gasketed globe protects against weather, garden sprinklers and insects. Clear glass GL 100 globes standard for 4 Tier. Clear glass GL60 globes standard for 3 Tire. GL100 white globes also available for attractive appearance and glare reduction.

### Housing:

Die cast aluminum housing with powder coat finish

### Mounting Stem:

Accessory 12" mounting stem with 1/2" threads on both ends available

### Socket:

Medium base porcelain with all copper electrical parts and 20" leads, including a ground lead.

### Voltage:

120 volts AC

### UL Listing:

Suitable for wet locations. Suitable for mounting within 4 feet of the ground

### Ballast Minimum Starting Temperature:

32

### F13:

Compact Fluorescent 13W

### Lamp:

Compact Fluorescent lamp supplied. 13 watt quad tube. NPF 120V ballast. GX23-2 base Quad lamps, 120V

### Patents:

RAB sensor and fixture designs are protected under U.S. and International Intellectual Property laws

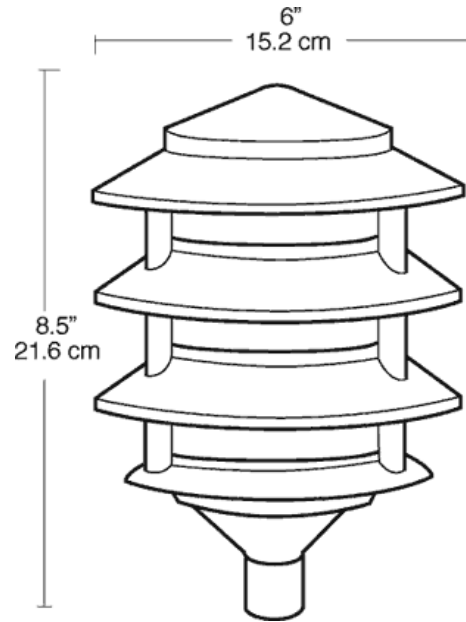
### Color:

Black

### Weight:

5

## DIMENSIONS



## ORDERING INFORMATION

Total Watts	Lamp Type	Lamp Base	Ballast	Starting Amps/ Operating Amps				Input Watts	LAMP ANSI Lumens	Initial Hours
				120V	208V	240V	277V			
13	13W	GX23-2	NPF 120V Quad	0.3				17	860	10000

### Factory Installed Options

Add suffix to Catalog Number

Note: Specifications may change without notice