

# RAB LIGHTING

## LFP16W



JOB NAME: \_\_\_\_\_  
 DATE: \_\_\_\_\_  
 TYPE: \_\_\_\_\_

### DESCRIPTION

PAR16 floodlight with die cast aluminum housing, integral glare shield and tempered lens. Sleek good looks with minimal size. Supplied with 6" leads and ground wire. Medium base PAR16 lamp, 60 watt max. Lamp not supplied.

### SPECIFICATIONS

#### Housings:

Precision die cast aluminum

#### Swivels:

1/2" NPS threaded arm with serrated locking swivel fits all standard mounting boxes. EZ Grip locknuts color matched to fixture.

#### UL Listing:

Suitable for wet locations. Suitable for mounting within 4' of the ground.

#### Compatibility:

Fixture is compatible with GE and Sylvania Par16 lamps. Not compatible with Philips Par16 lamp.

#### Patents:

RAB sensor and fixture designs are protected under U.S. and International Intellectual Property laws

#### Sockets:

Medium base porcelain with all copper current carrying components and spring loaded center contact.

#### Voltage:

120

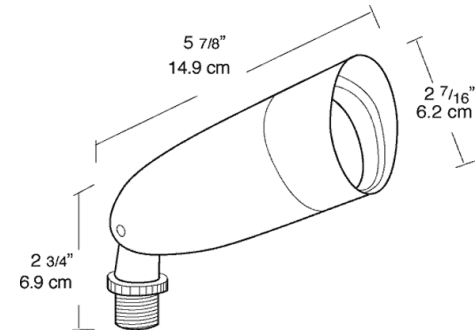
#### Color:

White

#### Weight:

0.85

### DIMENSIONS



### ORDERING INFORMATION

Total Watts	Lamp Type	Lamp Base	Ballast	Starting Amps/ Operating Amps				Input Watts	LAMP ANSI	Initial Lumens	Lamp Hours
				120V	208V	240V	277V				
60	PAR16	Medium	0	0	0	0	0	0	0	650	2000

#### Factory Installed Options

Add suffix to Catalog Number

Note: Specifications may change without notice

**RAB Lighting, Inc.** • 170 Ludlow Ave • Northvale, NJ 07647 • Tel: 888 RAB-1000 • Fax: 888 RAB-1232 • www.rabweb.com  
 © 2009