

# RAB LIGHTING

## LFM16VG



JOB NAME: \_\_\_\_\_  
 DATE: \_\_\_\_\_  
 TYPE: \_\_\_\_\_

### DESCRIPTION

Low voltage MR16 flood with die cast aluminum housing, integral glare shield and tempered lens. Sleek good looks with minimal size. Supplied with 36" SPT-1 cord for installation on low voltage systems. MR16 lamp, 50 watt max. Lamp not supplied.

### SPECIFICATIONS

**Housings:**

Precision die cast aluminum

**Swivels:**

1/2" NPS threaded arm with serrated locking swivel fits all standard mounting boxes. EZ Grip locknuts color matched to fixture.

**UL Listing:**

Suitable for wet locations. Suitable for mounting within 4' of the ground.

**Voltage:**

12

**Patents:**

RAB sensor and fixture designs are protected under U.S. and International Intellectual Property laws

**Sockets:**

Bipin GU5.3 with 36" SPT-1 cord

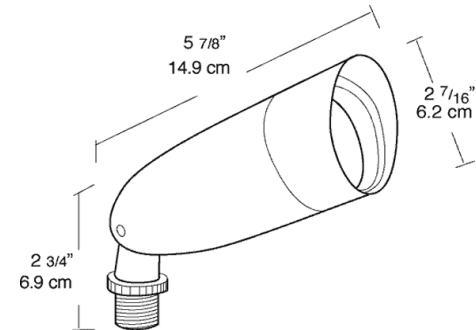
**Color:**

Verde green

**Weight:**

0.85

### DIMENSIONS



### ORDERING INFORMATION

Total Watts	Lamp Type	Lamp Base	Ballast	Starting Amps/ Operating Amps				Input Watts	LAMP ANSI	Initial Lumens	Lamp Hours
				120V	208V	240V	277V				
50	MR16	Bipin GU5.3	0	0	0	0	0	0	0	0	4000

**Factory Installed Options**  
 Add suffix to Catalog Number

Note: Specifications may change without notice

**RAB Lighting, Inc.** • 170 Ludlow Ave • Northvale, NJ 07647 • Tel: 888 RAB-1000 • Fax: 888 RAB-1232 • www.rabweb.com  
 © 2009